

Product Data Sheet

10-Device iPad, Chromebook, and Tablet Lockers



UD10KP-C, Front



UD10KP-C, Front



UD10KP Front



UD10KP-LD, Rear,
populated

Basic Features

- Use the base drawer to store peripherals, thumb drives, extra cables, etc.
- Charges your devices, too—each cube includes a UL® approved power strip with a 15-amp circuit breaker.
- The laminated top on the cart provides a smooth work surface.
- Create custom configurations—simply stack lockers, then add optional drawers and a laminate top. Lockers and drawers quickly attach to each other using only four screws.
- Without casters, the maximum recommended height when stacking lockers and drawers is 82" (208 cm). With casters, do not stack more than 2 lockers. Casters attach directly to the locker body or drawer.
- Office gray finish.

NOTE: The picture at left shows one locker, one drawer, a laminate top, and casters. Other configurations are possible. Please contact Black Box Technical Support at 724-746-5500 or info@blackbox.com for help in choosing a configuration that suits your application.

Overview

- Store and charge devices safely and securely.
- Ideal for classrooms.
- Has a removable locking rear access panel for easy cable management.
- Each locker holds 10 devices. Dividers keep devices upright and protected from each other.
- Warranties: Locker: Guaranteed for life!
Power Strips: 3 Years

10-Device iPad, Chromebook, and Tablet Lockers

Technical Specifications

Approvals	UL approved power strip
Cable Access	Each locker has a 1.5" diameter hole on each side
Color	Gray
Construction	Steel with vented sides
Laptop Capacity	10
Locking	Yes, keyed; Locking front door and rear access panel for easy cable management
Slot Dimensions	9.35"H x 1.36"W x 15"D (23.75 x 3.45 x 38.1 cm)
Power	Input: 110–120 VAC, 50–60 Hz, Plug type: 5-15P, Outlet type: 5-15R; Outlet count: 12 On/Off switch: Yes
Dimensions	UD10KP: Unit (UD10K): 16.2"H x 22.5"W x 24"D (41.1 x 57.2 x 61 cm); UD10KP-LD: Overall: 25.38"H x 23.5"W x 25"D (64.46 x 59.7 x 63.5 cm), Rear access panel: 14.35"H x 19.25"W (36.4 x 48.9 cm), Drawer (UDDRAWER): 8.18"H x 22.5"W x 24"D (20.78 x 57.2 x 61 cm), Laminate top (UDLAMINATE): 1"H x 23.5"W x 25"D (2.5 x 59.9 x 63.5 cm); UD10KP-C: Unit: 29.25"H x 23.50"W x 25"D (74.3 x 59.7 x 63.5 cm), Rear access panel: 14.35"H x 19.25"W (36.4 x 48.9 cm); Drawer (UDDRAWER): 8.18"H x 22.5"W x 24"D (20.78 x 57.2 x 61 cm), Laminate top (UDLAMINATE): 1"H x 23.5"W x 25"D (2.5 x 59.9 x 63.5 cm); Casters (UDCASTERS): 3.75"H (9.5 cm)

Comparison Chart: Universal Lockers

	UD10KP	UD10KP-LD	UD10KP-C
Laptop capacity	10	10	10
Outlet strips	(1) 12-outlet power strip	(1) 12-outlet power strip	(1) 12-outlet power strip
Casters included	No	No	Yes
Drawer included	No	Yes	Yes
Laminate top included	No	Yes	Yes
Slot size	9.35"H x 1.36"W x 15"D (23.75 x 3.45 x 38.1 cm)		
Power management dividers	11	11	11
Height	16.2" (41.1 cm)	25.38" (64.46 cm)	29.13" (73.99 cm)



UD10KP



UD10KP-LD



UD10KP-C

10-Device iPad, Chromebook, and Tablet Lockers



*UD10KP-C, back, open,
populated*



*UD10KP-C, back,
closed*

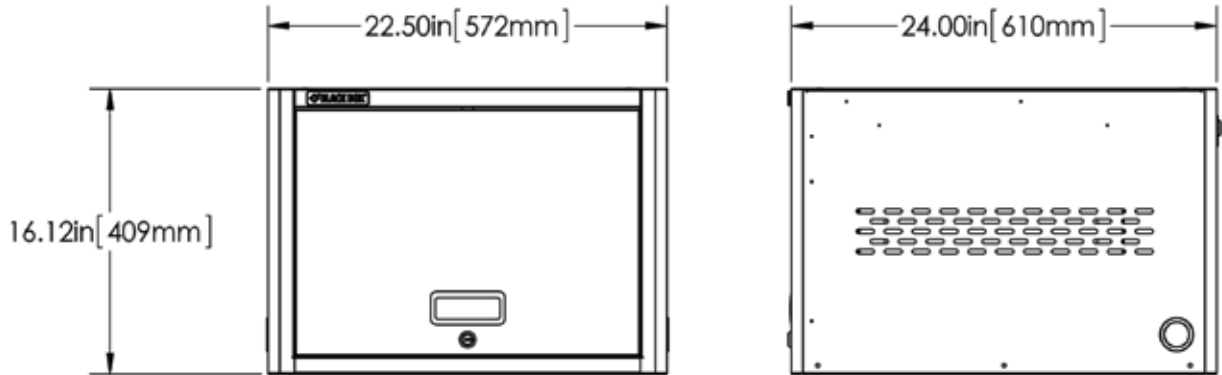
Touchboards

205 Westwood Ave, Long Branch, NJ 07740
Phone: 866-94 BOARDS (26273) / (732)-222-1511
Fax: (732)-222-7088 | E-mail: sales@touchboards.com

UD10KP

Locker	16.2" (41.14 cm)
Total Height	16.2" (41.14 cm)

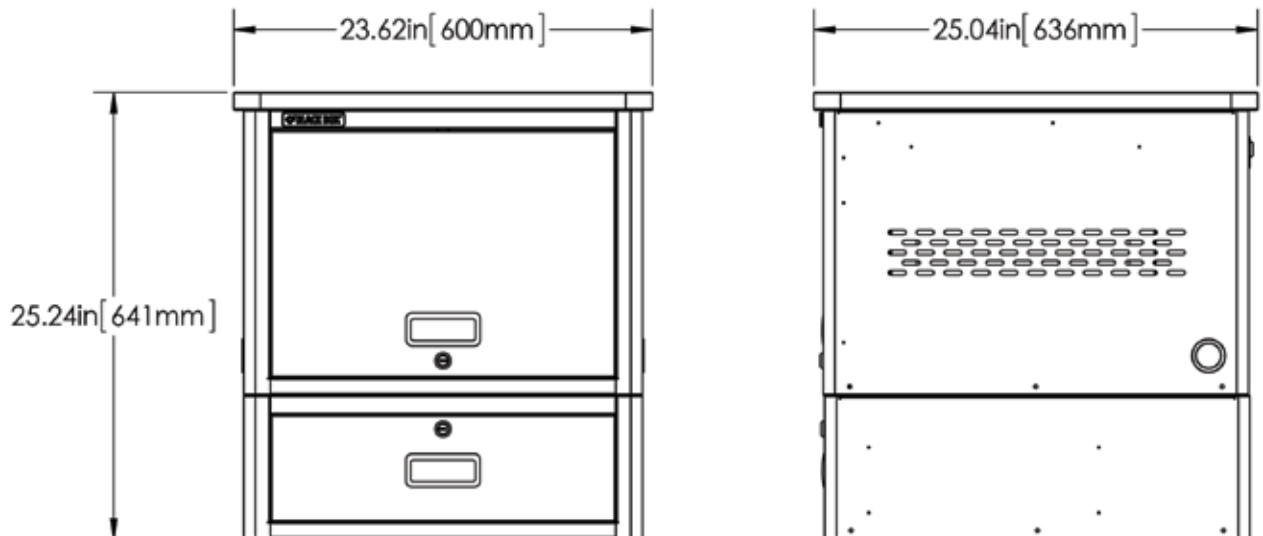
NOTE: UD10KP includes (1) 12-outlet power strip.



UD10KP-LD

Laminate Top	1" (2.54 cm)
Locker	16.2" (41.14 cm)
Drawer	8.18" (20.77 cm)
Total Height	25.38" (64.46 cm)

NOTE: UD10KP-LD includes (1) 12-outlet power strip in locker.

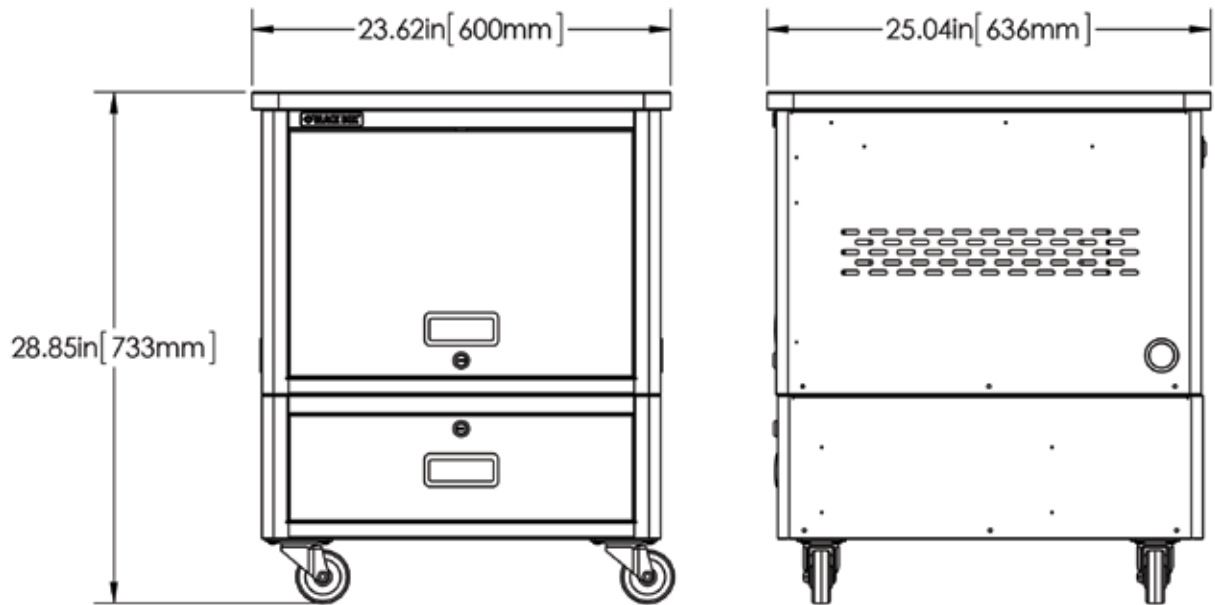


10-Device iPad, Chromebook, and Tablet Lockers

UD10KP-C

Laminate Top	1" (2.54 cm)
Locker	16.2" (41.14 cm)
Drawer	8.18" (20.77 cm)
Casters	3.75" (9.52 cm)
Total Height	29.13" (73.99 cm)

NOTE: UD10KP includes (1) 12-outlet power strip in locker.



COMPUTER CART EVALUATION CHECKLIST

Charging and Storage Cart Evaluation Sheet

Evaluator should complete all yellow-shaded fields first.

Then Rate each item on a scale from 1 - 10 (in the RATING fields) using 10 as the highest score possible and 1 as the lowest.

		CART #1	CART #2	CART #3	CART #4
Manufacturer/Brand					
Model#					
# of Device Slots per Cart (Qty.)					
Cart Feature	Rating	Rating	Rating	Rating	
QUALITY FUNCTIONALITY	Appearance				
	Feel				
	Size - footprint				
	Access to devices				
	Mobility - Ease of moving				
	Mobility - Ease of steering				
	Security - Locking doors				
	Work space - usable top area				
	External power				
	Overall Quality/Functionality Rating				
SAFETY / LIABILITY PROTECTION	No launch points				
	No pinch points				
	No sharp edges				
	Concealed or protected power				
	Are electronics UL approved				
	Overall Safety Rating				
SUSTAINABILITY	Warranty - Lifetime?				
	Durability - Will it last?				
	Flexibility to rewire				
	Flexibility to adapt to changing devices				
	Overall Sustainability Rating				
EASE OF ACCESS - WIRING	Ease of Wiring				
	Cable and Power Brick Management				
	Back Side Access - Removable Back Panel				
	Overall Access - Wiring Rating				
Overall Feature & Safety Rating					
PRICING COMPARISON					
Evaluator to complete yellow fields.					
	# of Devices Requiring Cart Storage				
	Number of Device Slots in each cart				
	Total # of Carts Required to Purchase				
	Cost Per Unit (for each Cart)				
	Total Cart Purchase Price				
	Manufacturer Name				
	Price Per Slot				
	Number of Unused Slots in each cart				

What's Included

UD10KP:

- (1) Locker with shelf and cable management panel
- (1) 12-outlet PDU
- (1) pair of keys for front door
- (1) pair of keys for rear panel
- (6) mounting screws
- (1) manual

UD10KP-LD:

- (1) Locker with shelf and cable management panel
- (1) drawer
- (1) laminate top
- (1) 12-outlet PDU
- (1) pair of keys for front door
- (1) pair of keys for rear panel
- (1) pair of keys for drawer
- (6) mounting screws
- (1) manual

UD10KP-C:

- (1) Locker with shelf and cable management panel
- (1) drawer
- (1) laminate top
- (4) casters (2 swiveling/locking, 2 swiveling)
- (1) pair of keys for front door
- (1) pair of keys for rear panel
- (1) pair of keys for drawer
- (1) 12-outlet PDU
- (6) mounting screws
- (1) manual

Item	Code
iPad, Chromebook, and Tablet Locker	
10-Device Capacity	UD10KP
10-Device Capacity, with drawer and laminate top	UD10KP-LD
10-Device Capacity, with drawer, laminate top, and Casters	UD10KP-C
Choose from these accessories...	
Universal Locker Drawer	UDDRAWER
Universal Locker Casters	UDCASTERS
Universal Locker Laminate	UDLAMINATE



205 Westwood Ave, Long Branch, NJ 07740
 Phone: 866-94 BOARDS (26273) / (732)-222-1511
 Fax: (732)-222-7088 | E-mail: sales@touchboards.com

About Black Box:

Black Box is a leading technology product solutions provider that helps customers build, manage, optimize, and secure their networks. The Black Box quality management system is ISO 9001:2008 certified, and the company has received numerous industry recognitions. Black Box provides its customers with free, 24/7 pre- and post-sales technical support. The Black Box catalog and Web site offer an extensive range of infrastructure products including Cabling, Cabinets & Racks, Data Center Cooling Solutions, Power & Surge Protection, and Environmental Monitoring.

Disclaimer:

Black Box Network Services shall not be liable for damages of any kind, including, but not limited to, punitive, consequential or cost of cover damages, resulting from any errors in the product information or specifications set forth in this document, and Black Box Network Services may revise this document at any time without notice.

© Copyright 2014. Black Box Corporation. All rights reserved. Black Box® and the Double Diamond logo are registered trademarks of BB Technologies, Inc. UL is a registered trademark of Underwriters Laboratories. Any third-party trademarks appearing in this publication are acknowledged to be the property of their respective owners.