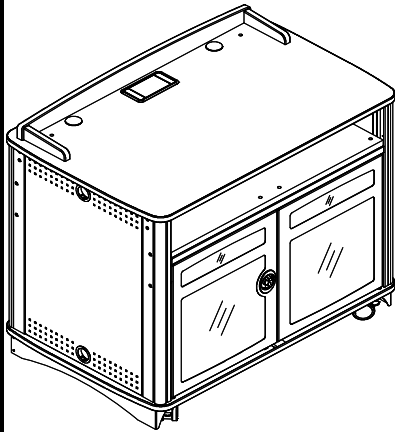
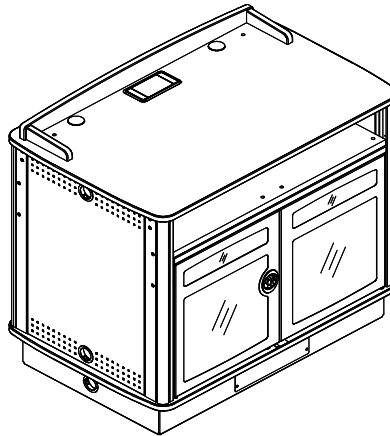


Media Director V2 Lectern

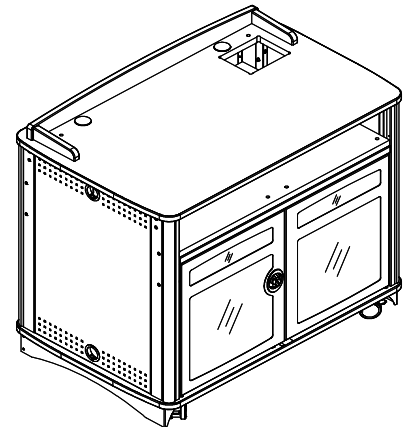
55260		Standard Media Director V2
LH cut-out 55345	RH cut-out 55346	w/ TouchLink™ Cubby Panel 350CV cut-out in work surface (no overbridge)
55294		w/ blank overbridge (OB-3)
55234		w/ MediaLink™ MLC 226 IP AAP cut-out in overbridge (ES-3)
55347		w/ TouchLink™ 700MV cut-out in overbridge



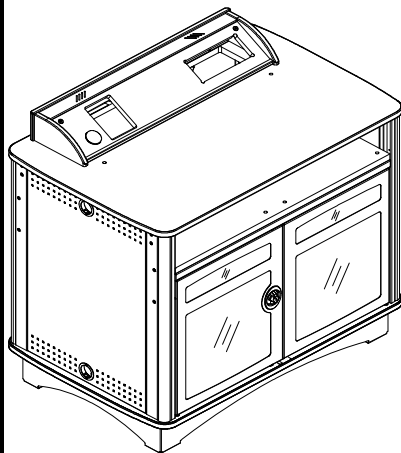
Media Director V2 Lectern
55260TW



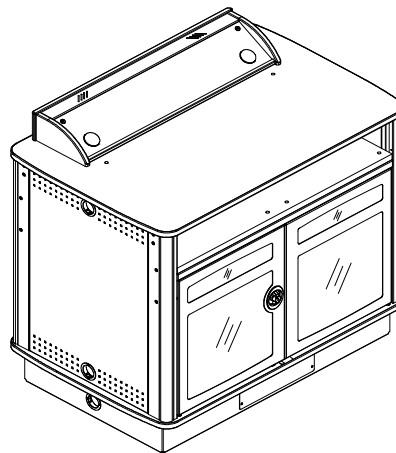
Media Director V2 Lectern w/ toe kick
55260TK



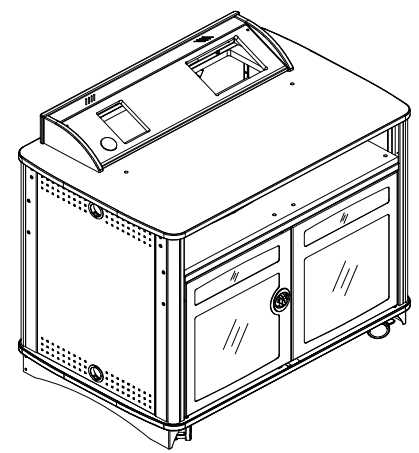
Media Director V2 Lectern w/ RH
TouchLink™ Cubby Panel 350CV cut-
out in work surface
55346TW



Media Director V2 Lectern w/ MediaLink™
MLC 226 IP AAP cut-out in overbridge &
arched toe kick (ES-3)
55234TK



Media Director V2 Lectern w/ toe
kick & blank overbridge (OB-3)
55294TK



Media Director V2 Lectern w/ TouchLink™
700MV cut-out in overbridge
55347TW

To purchase parts or accessories, please contact us at
www.spectrumfurniture.com
1-800-235-1262
Thank you for choosing Spectrum products!

CAUTION:

Before using this product, read this manual and follow all safety and operating instructions.

IMPORTANT:

Before you begin, please make sure all parts and proper quantities are included. Any parts damaged during shipment must be reported within 15 days of receipt. To report information regarding damages or if you have any questions, please call 1-800-235-1262.

Touchboards

205 Westwood Ave, Long Branch, NJ 07740
Phone: 866-94 BOARDS (26273) / (732)-222-1511
Fax: (732)-222-7088 | E-mail: sales@touchboards.com

SPECTRUM
INDUSTRIES INC. 



Safety



Assembly / Setup

- Read this owners manual before assembly or operation

Tools Required:



Phillips Head
Screwdriver

Quick-Release Door Hinge Operation

- To remove door, pull down the quick-release lever as shown in **Figure 1A** while removing the door.
- To re-attach the door, pull down the quick-release lever while inserting the door hinge pins into the pin holes. **Figure 1**. Release the lever when the upper hinge pin is aligned with the upper hinge pin hole-this will secure the door.

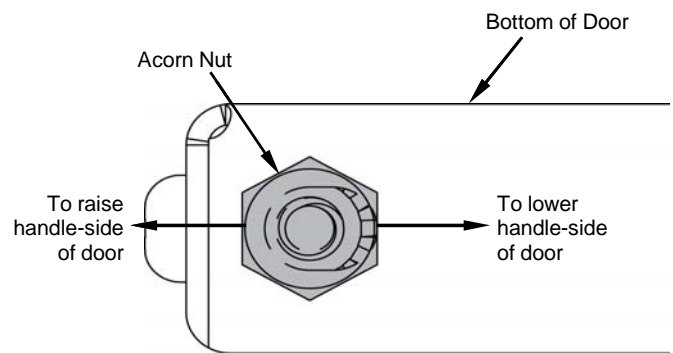
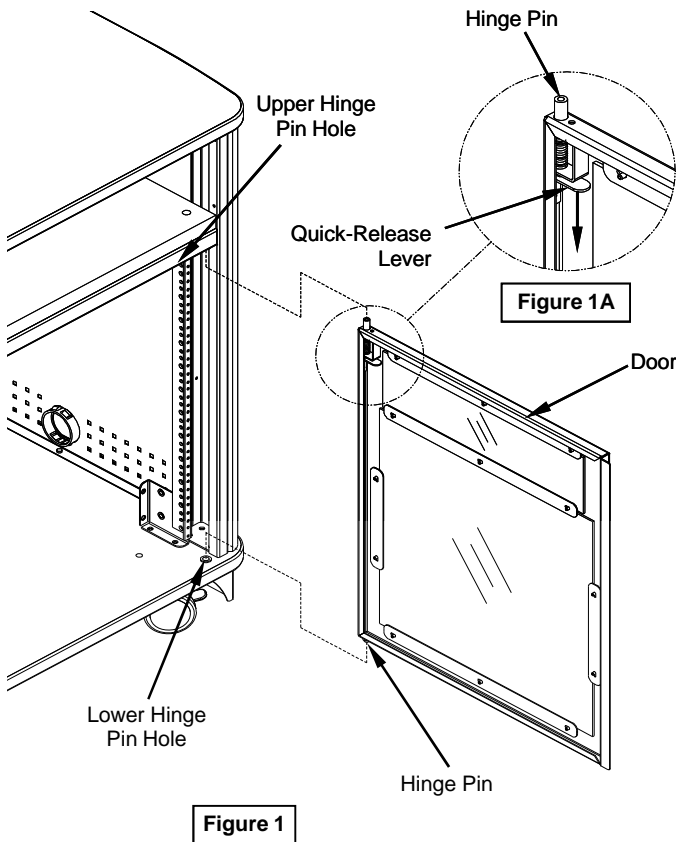


Figure 1B

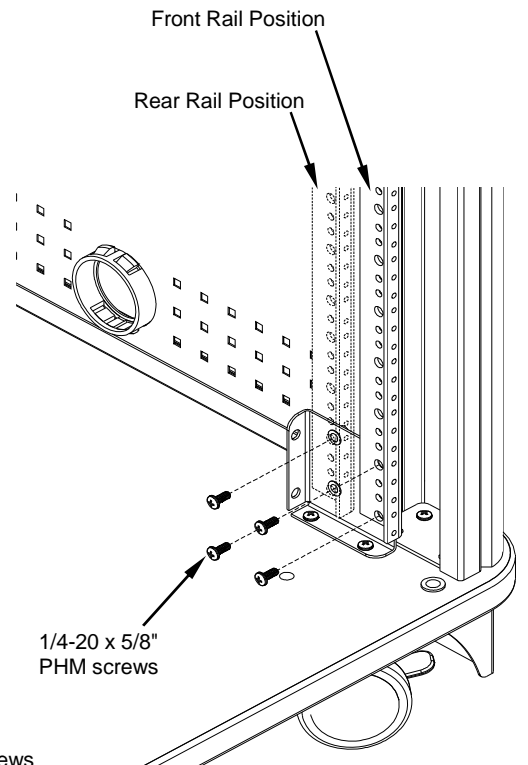


Figure 2

Note: If the door appears to be misaligned, a slight adjustment can be made to the bottom hinge-side of the door. **Figure 1B**.

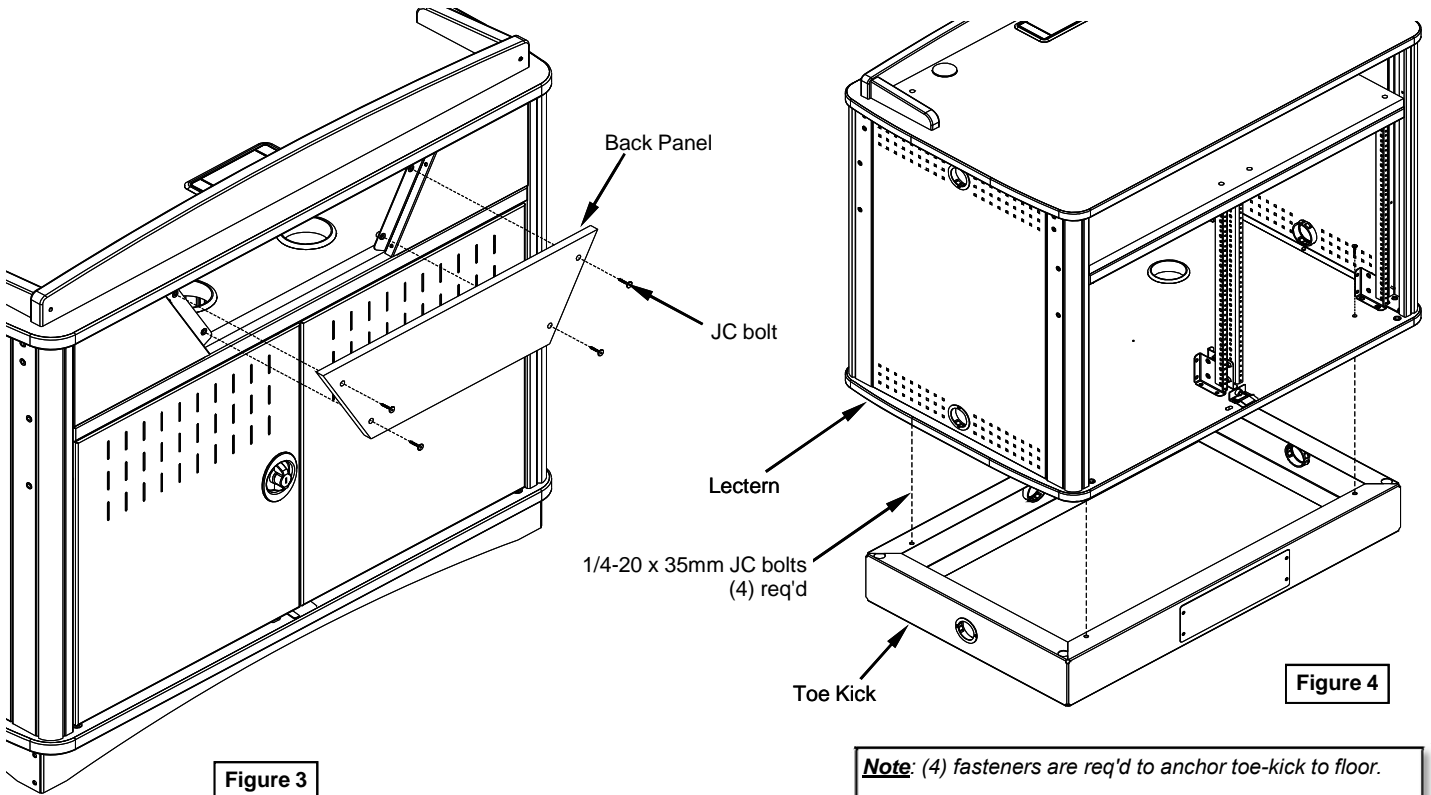
1. Using the quick-release lever, remove the door.
2. Slightly loosen the acorn nut on the bottom corner of the door with a 3/8" or adjustable wrench and Phillips screwdriver.
3. Reposition the acorn nut and screw as required (repositioning the acorn nut toward the rear of the door will lift the handle-side of the door upward.)
4. After adjustment, be sure the nut is tightened securely. Re-attach door and check alignment. Repeat this procedure if necessary.

Changing Rack-Rail Position

- To move the rack rails to a different mounting position, remove the 1/4-20 x 5/8" PHM screws and re-attach in the new position as shown in **Figure 2**.

Back Panel Removal

- To access the upper keyboard / rack rail area from the back, remove the (4) JC bolts and remove the back panel. **Figure 3.**
- Replace the panel and tighten the JC bolts securely.



Floor Anchoring (Toe Kick models only)

- If your Media Director is equipped with a toe-kick, and you wish to attach it to the floor, the toe-kick will need to be detached from the lectern. To detach, remove the (4) 1/4-20 x 35mm JC bolts (one on each corner) from inside the lectern.
- Carefully lift the lectern off the toe-kick. This will require several people. **Figure 4.**
- Locate the toe-kick into the final position on the floor and mark the (4) mounting hole locations on the floor.
- Drill holes into the floor and anchor the toe-kick with appropriate fasteners. (The toe-kick mounting holes are approximately 1/2" dia.)
- Carefully lift the lectern back onto the toe-kick and align the (4) mounting holes.
- Re-attach the lectern to the toe-kick with the previously removed JC bolts.

Attaching Optional Keyboard Tray

- Hook the keyboard slide/track into one of the pre-installed clips under the left or right-side of the work surface. **Figure 5.**
- Attach slide/track to the work surface using (2) screws (from the keyboard tray kit) and the pre-drilled work surface holes.
- Slide the keyboard tray into the slide/track.
- Refer to the keyboard tray instructions for remainder of installation.

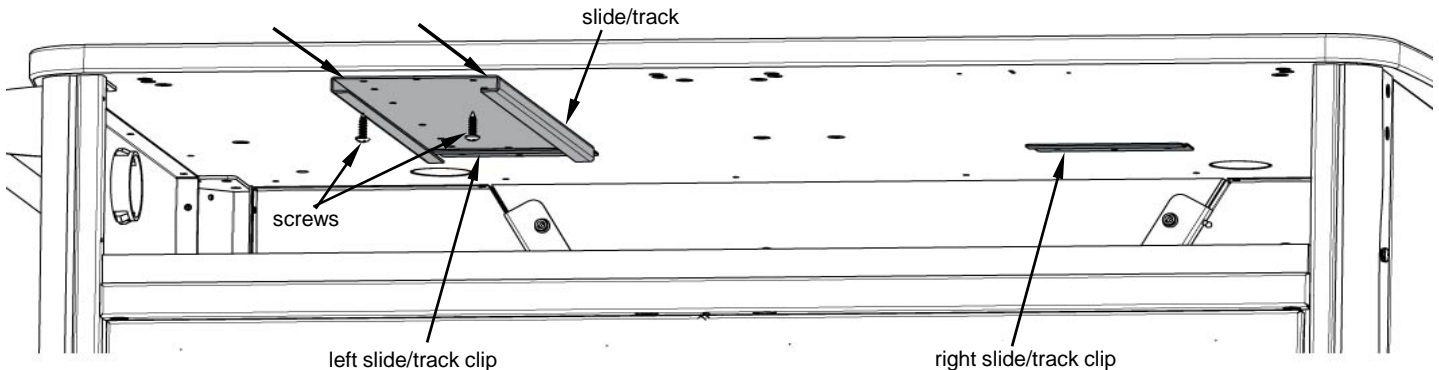


Figure 5

Technical Specs

Construction

- The work surface and base panel are constructed from 1¹/₁₆" thick industrial-grade composite board with .030 high-pressure laminate on one face, and a balancing phenolic backer on the opposing face
- Metal components consist of 16-gauge steel and 20-gauge steel
- 16-gauge steel doors and corner columns
- Work surface edges are covered with 3mm vinyl
- All metal components are finished with a scratch-resistant powder coat epoxy
- Solid wood corner trim
- Each Media Director V2 Lectern is factory-assembled w/ casters, packaged, and shipped on its own skid

Capacity

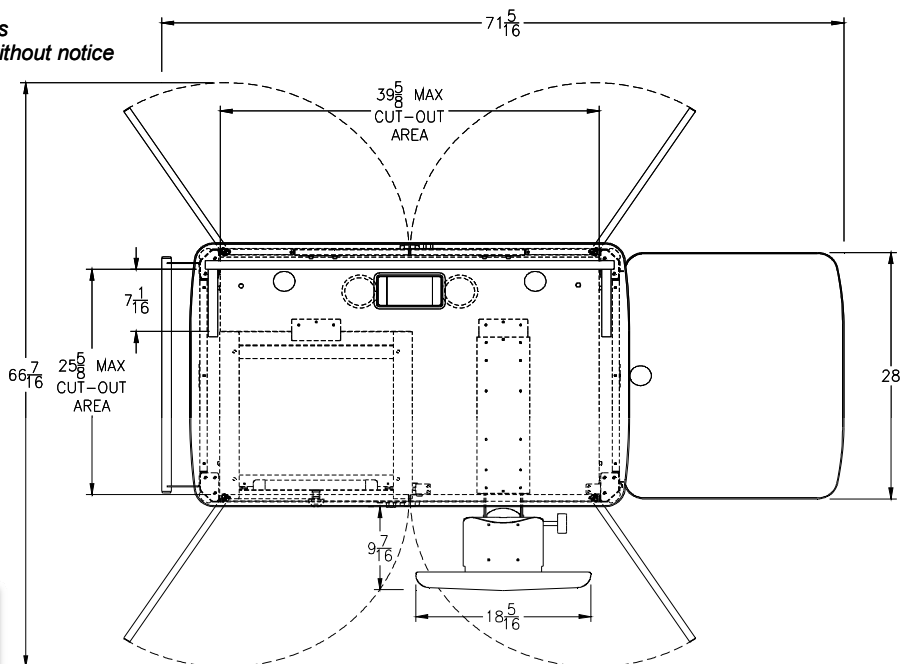
- Overall dimensions: (See dimensioned drawings)
- Total upper internal area: 39⁵/₈"W x 27³/₄"D x 6³/₈"H
- Total lower internal area: 39⁵/₈"W x 27¹/₄"D x 24¹⁵/₁₆"H
- Adjustable-height document camera/task shelf is 23"W x 27³/₄"D
- The 3" swivel twin-wheel locking casters have a weight capacity of 165 lbs each (660 lbs max total unit weight)
- Optional 15' retractable 15-amp cord reel
- Four sets of standard rack rail provide 13RU each (front and rear mounted) (Total of 52RU)
- Meets or exceeds all ANSI-BIFMA test standards
- Features and specifications subject to change without notice

- **Unit weights (nominal):**
55260TW - 260 lbs (w/ casters)
55260TK - 263 lbs (w/ toe kick)

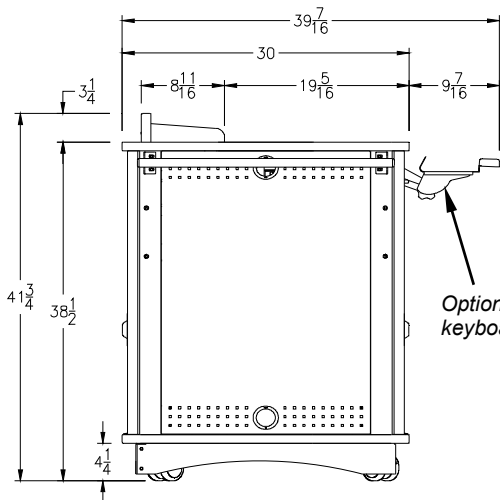
- **Shipping weights (nominal):**
55260TW - 316 lbs (w/ casters)
55260TK - 319 lbs (w/ toe kick)

Note: Optional keyboard tray can be mounted in a left or right position under the work surface.

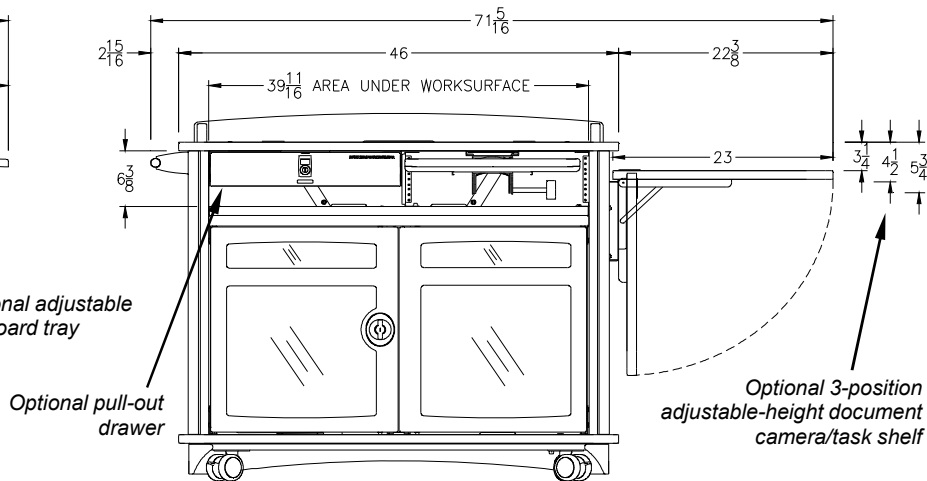
55260TW
Media Director Lectern V2 w/ casters
(shown with optional handle, flip-up document camera/task shelf, pull-out drawer, and adjustable keyboard tray)



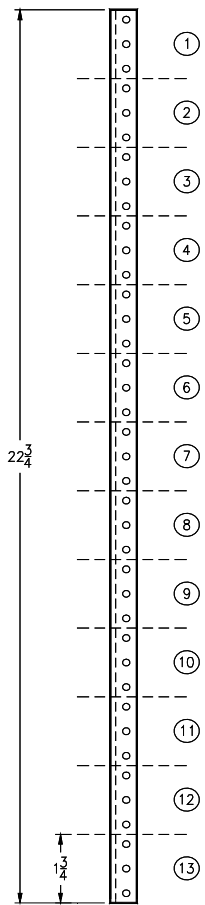
Top View



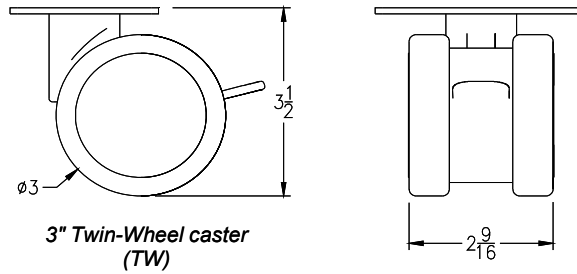
Left-Side View



Instructor's View

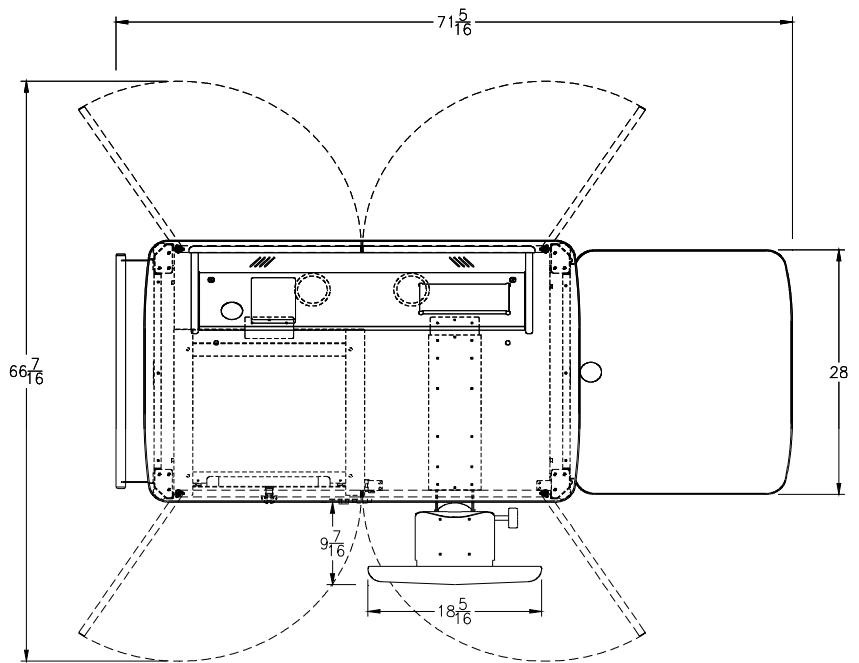


Media Director Rack Rail
(13 Rack-Units available)

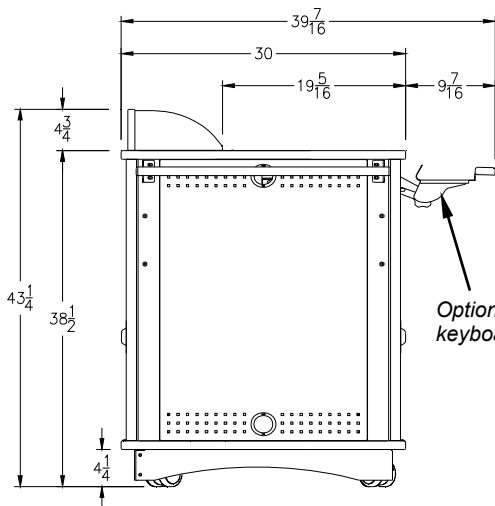


3" Twin-Wheel caster
(TW)

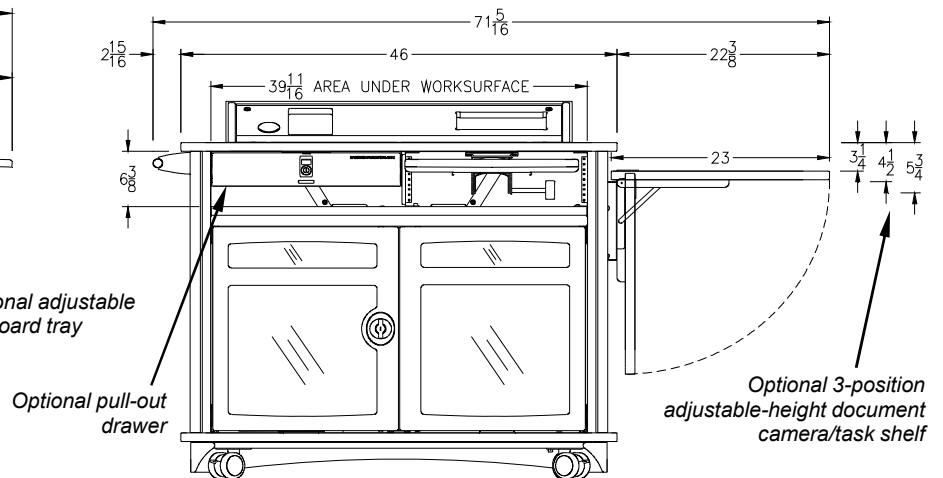
55234TW
ES-3 Media Director V2 Lectern w/ Twin-Wheel casters
 (shown with optional handle, flip-up document camera/task shelf, pull-out drawer, and adjustable keyboard tray)



Top View



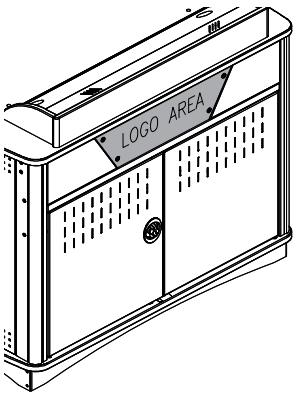
Left-Side View



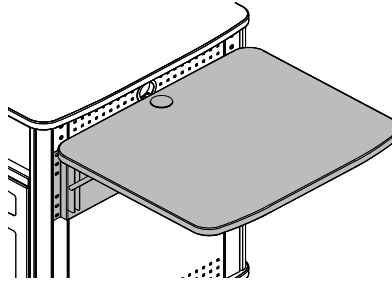
Instructor's View

Options

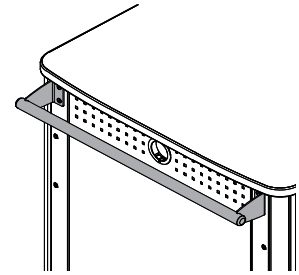
Note: The Flip-Up Document Camera Shelf and Steel Handle can be mounted on either side of the lectern. Both can be mounted on the same side, but the shelf needs to be mounted in a lower position to provide enough clearance for the handle.



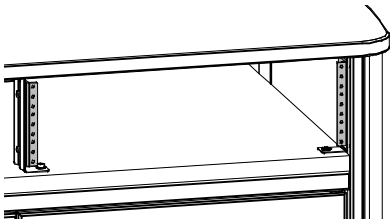
Custom-Cut Logo Panel
(student-side)
55261



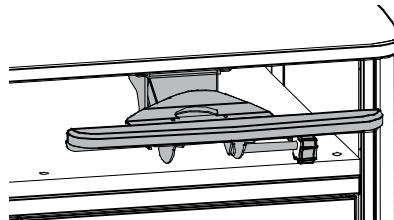
Flip-Up Document Camera/Task Shelf
(mounts on left or right, max 2 per unit)
includes 2" cable grommet
23"W x 27³/₈"D
(150 lbs max load)
55263



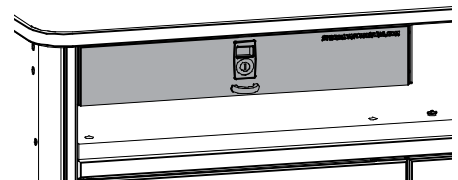
Steel Handle
(mounts on left or right-max 2 per unit)
55265



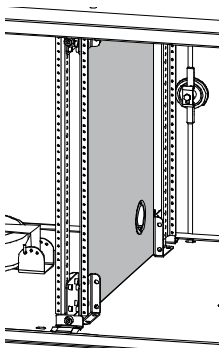
Upper Rack Rail Kit (3RU)
(max 2 per unit)
55266



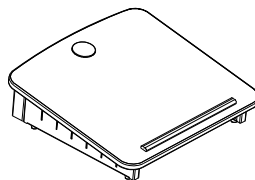
Adjustable Econo Keyboard Tray
18³/₈"W x 12"D
(max 2 per unit)
95520



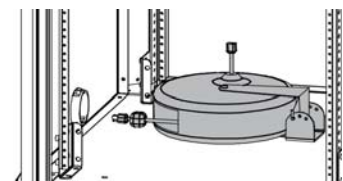
Pull-Out Drawer
18¹³/₁₆"W x 15¹/₄"D x 3¹/₈"H
(max 1 per unit)
55264



Security Panel
55262

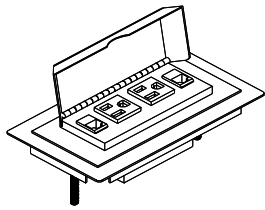


Riser Podium
18"W x 17¹³/₁₆"D
95002

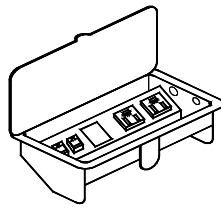


15' Retractable Cord Reel
inboard-mounted (15-amp)
99029

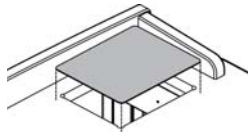
Note: When installed, the optional cord reel takes up 3RU from the bottom of the rack rail



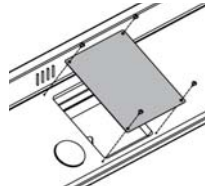
UL Listed Power/Communication Module
w/ 9' power cord, two outlets, two data jacks, &
adapter plate (standard models only)
7¹/₈"W x 3⁵/₈"D x 3³/₄"H
99028



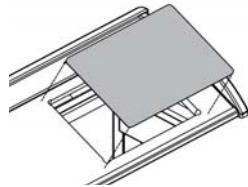
Power/Communication Module
w/ 9' power cord, two outlets, & two data jacks
7¹/₈"W x 3⁵/₈"D (standard models only)
99003 (w/out mic jack)



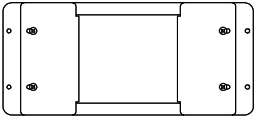
TouchLink™ 350CV cut-out cover plate
7¹/₂"W x 6¹/₄"D (16-gauge steel)
55350



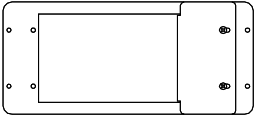
Cable Cubby™ 300S cut-out cover plate
(overbridge models only)
5¹/₁₆"W x 7"D (20-gauge steel)
96500



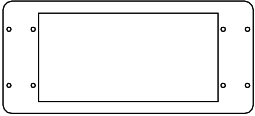
TouchLink™ 700MV cut-out cover plate
(TouchLink™ 700MV overbridge models only)
9³/₈"W x 6⁷/₁₆"D (16-gauge steel)
55351



2-Gang



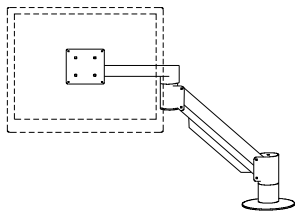
3-Gang



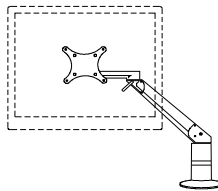
4-Gang

Extron® Controller Adapter Kit
55239
(can be configured for 2, 3,
or 4-Gang controllers)

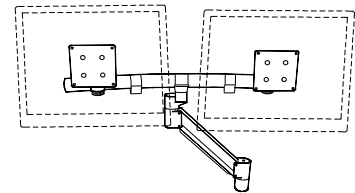
Note: This kit is for use with the
MediaLink™ overbridge and should be
ordered if anything less than a 5-Gang
Extron® unit will be used.



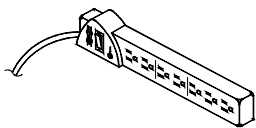
Flat Panel Monitor Arm
95512 (for monitors weighing 4-14.5 lbs)
95522 (for monitors weighing 9-24 lbs)
95509 (for monitors weighing 12-29 lbs)



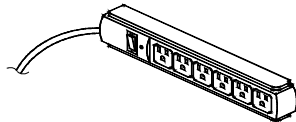
Evo Flat Panel Monitor Arm
95523 (for 15"-19" monitors weighing 6-13 lbs)
95524 (for 19"-21" monitors weighing 13-21 lbs)



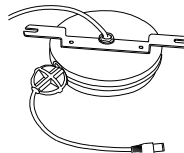
Dual Flat Panel Monitor Arm
23" max center-to-center distance
(4-19 lbs per monitor)
95516



7-Outlet Power Strip, insured
w/surge protector, bracket, and 12' cord
10"W x 2"D x 1¹/₈"H
99024



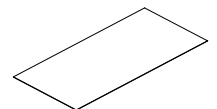
6-Outlet Power Strip
w/ 12' cord
11⁵/₁₆"W x 1¹/₁₆"D x 1³/₁₆"H
99023



Data Cord Reel
w/ 14' CAT 5 cord & plugs
99026

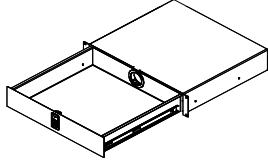


Replacement Key Set
for 2-pt lock
55142

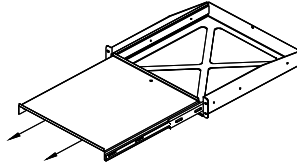


Non-Slip CPU Pad
11"W x 23"D
95518

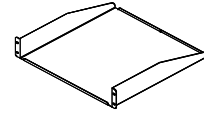
Rack-mount Accessories



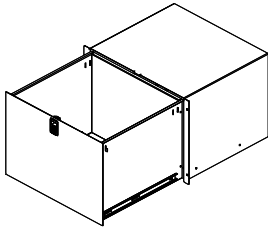
Locking Drawer (2RU)
 interior dims: 15³/₄"W x 13¹¹/₁₆"D x 2⁷/₈"H
 (25 lbs max load)
 97514



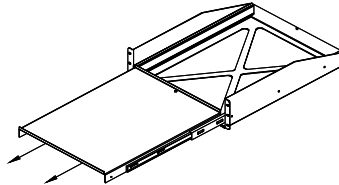
Pull-Out Shelf (2RU)
 16¹/₂"W x 17³/₄"D
 (50 lbs max load)
 97505



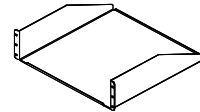
Cantilever Shelf (2RU)
 17¹/₂"W x 18"D x 3¹/₂"H
 (50 lbs max load)
 97504



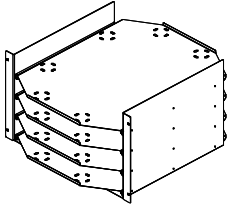
Locking File Drawer (8RU)
 includes file holder
 interior dims: 15³/₄"W x 13⁹/₁₆"D x 13⁵/₁₆"H
 (50 lbs max load)
 97515



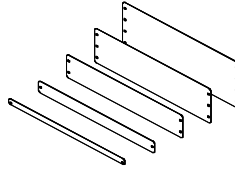
Pull-Out Shelf (3RU)
 16¹/₂"W x 21³/₄"D
 (80 lbs max load)
 97503



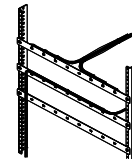
Cantilever Shelf (3RU)
 17¹/₂"W x 18"D x 5¹/₄"H
 (80 lbs max load)
 97502



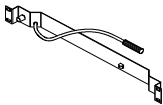
LT-4 Laptop Storage Unit (7RU)
 (stores 4 laptops horizontally)
 laptop tray dims:
 16¹/₄"W x 20¹/₂"D x 2³/₁₆"H
 97517



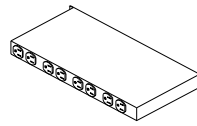
Rack-Mount Blanks
 (fills rack spaces where
 components are not needed)
 97516 - (1¹/₂RU)
 97510 - (1RU)
 97511 - (2RU)
 97512 - (3RU)
 97513 - (4RU)



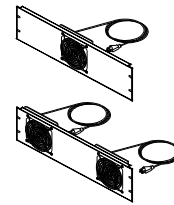
Wire Lace Kit
 3 lace straps included
 95517



Flexible Halogen Light (1RU)
 19"W x 2"D x 1³/₄"H
 99033



9-Outlet Power Strip (1RU)
 19"W x 9"D x 1³/₄"H
 99021



Cooling Fans (3RU)
 19"W x 2"D x 5¹/₄"H
 Single Fan-97507
 Double Fan-97506

Warranty

WE WILL MAKE IT RIGHT FOR YOU!

We guarantee all Spectrum products to be free of all defects in materials and workmanship, for the original owner, for a period of **ten years**. Any item deemed defective by Spectrum or the original manufacturer, under normal use conditions, will be repaired or replaced at Spectrum's discretion. This warranty applies to all products manufactured and distributed by Spectrum except the products listed below.

DESIGNED FOR INDOOR USE ONLY - Spectrum's products have been designed and constructed for indoor use only. Moving or using outdoors, or on excessively rough surfaces, may cause damage to the products and may void the warranty. If an outdoor application is desired please contact us to discuss potential custom design solutions.

Spectrum is committed to provide complete customer satisfaction. Each of our products are manufactured from the best materials available and each product is stringently monitored throughout the production process through our P.A.C.E. program (Product Assurance to meet Customer Expectations).

Our Customer Service Help Line 1-800-235-1262 is ready to provide immediate attention to any questions, comments or concerns. We are available to answer your calls Monday through Friday from 7 am to 5 pm CST. In addition your product comments or concerns are welcome via e-mail at: spectrum@spectrumfurniture.com.

Items that have a varying warranty include, but are not limited to, the following:

- Adjustable Crank/Electric Desk Legs (1 yr)
- Flat Panel Desk Gas Cylinders (1 yr)
- Adjustable Height Chair Parts – including frames, gas cylinders, wood and plastic parts, and control handles (7 yrs)
- Adjustable Height Chair Parts Casters (2 yrs)
- Adjustable Height Chair Upholstery - In-Stock Upholstery (2 yrs)
- Adjustable Height Chair Upholstery - Graded-In Fabrics and C.O.M (no warranty)
- Height Adjustable Columns and Lifts (1 yr)
- General Use Casters (1 yr)
- Electrical – ECA (1 yr)
- Electrical - Power Strips (1 yr)
- Electrical Surge Suppressors (lifetime)
- Electrical - Retractable Power Cords (1 yr)
- Keyboard/Mouse Trays (1 yr)
- Flat Panel Monitor Arm – General Parts (5 yrs)
- Flat Panel Monitor Arm – Gas Cylinders (2 yrs)
- CRT Monitor Arm (1 yr)

The warranty, as stated above, is effective as of 05/28/2009

Touchboards

205 Westwood Ave, Long Branch, NJ 07740
Phone: 866-94 BOARDS (26273) / (732)-222-1511
Fax: (732)-222-7088 | E-mail: sales@touchboards.com