



SHARP 70LCDINT Interactive Display Bundle

THINK BIG!

With A 70 Inch LCD-LED Dual Touch Interactive Board!

TURN-KEY PLUG & PLAY

FREE ON-SITE SET UP

BUILT IN WINDOWS 7 PC

MOBILE STAND

Breakthrough performance, versatility and value.

BIG SCREEN. BIG IMPACT. BIG ADVANTAGES over conventional display solutions.

The spectacular Sharp 70" class (69-1/2" diagonal) LED-LCD interactive display gives you convincing reasons to think BIG – with brilliant color images for greater communications power. Superior collaborative ease with touch-screen convenience. For versatility and performance in business meetings, teleconferences, whiteboard presentations, training/classroom instruction and high-impact signage, there's never been a better time to think BIG – and think Sharp.



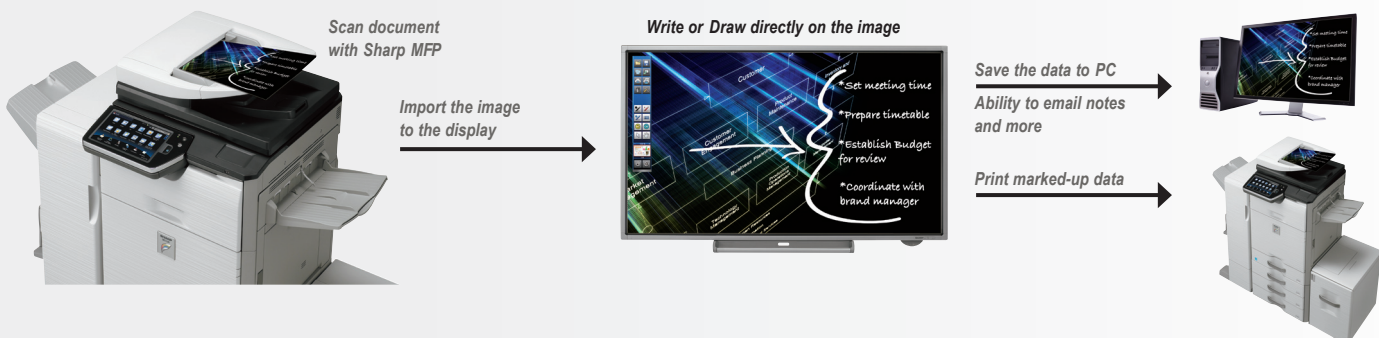
- Spectacular 70" class (69-1/2" diagonal) screen size
- Brilliant high definition LCD panel with energy-efficient design
- Display, annotate, store and share information
- Touch-screen operation with pen or finger
- Exclusive Sharp user-intuitive whiteboard software
- High-performance infrared detection system for quick response
- Direct Sharp MFP connectivity to import/export data
- Built-in whiteboard templates: Calendar, to-do list and more

Convey your message with greater impact. Size matters – and in today's competitive world, a big-screen Sharp display can make a big difference in getting your message across. With its 70" class (69-1/2" diagonal) screen, this Sharp display gives you spectacular HD clarity to help make your presentations come to life. Sharp's UV²A photo-alignment technology create brilliant color images, and with full-array backlit design positions energy-efficient white LEDs evenly across the entire panel for uniform brightness and greater legibility of text.

Give your presentation just the right touch. For performance, simplicity and control convenience, nothing beats a Sharp interactive touch-screen display. Multiple infrared sensors detect touch points with greater accuracy to increase usability and precision. And you can create work plans, highlight key topics, annotate files and more – then share marked-up documents or print hard copies for future reference.

Control every presentation like a pro. Our intuitive Sharp Pen Software™ application provides a whole new dimension in interactive control. Using the tip of your finger or touch pen, you can open and close documents, enlarge or shrink images, even make hard-copy printouts. A user-friendly tool bar lets you select a variety of drawing options with a simple tap of an icon. With two fingers, the dual-touch interface lets you easily enlarge, reduce, or rotate an image. And Sharp Pen Software is fully compatible with Windows® 7 and can easily import Microsoft® Office® documents including PowerPoint® presentations.

Streamlined Communications via Direct Sharp MFP Connection – scan, import, save and print



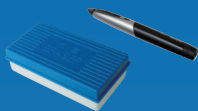
The power of results, it's in your hands.



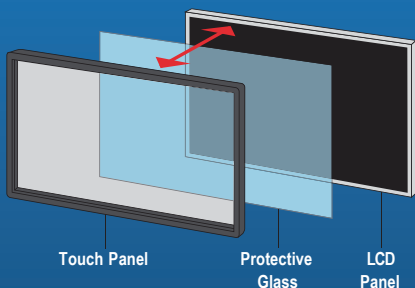
Cross-industry capable, Sharp PN displays enable a professional, personal touch for business meetings, training sessions and more.



- Use the top menu buttons to open files and import documents to your presentations.
- Sharp Pen Software works like magic to put your best thoughts on display. Switch colors at the touch of a button for emphasis or color-coding.
- The SmartEraser function automatically switches from draw to erase mode, when an eraser is placed on the screen.
- Undo and Redo commands make changes quick and simple.
- Save, Print, Print All commands let you save files or make hard copy printouts.
- Pan and Zoom adjust your view or resize your image—it's easy!



Integrated touch panel for smooth and accurate writing.



Direct interface with your Sharp MFP. Interactive digital presentations don't have to be difficult – and with your Sharp big-screen display connected to a Sharp Multifunctional Peripheral (MFP), you'll have the ability to scan documents directly to your Sharp Pen Software using the Sharp Network Scanning Tool. After making revisions, adding notes or annotating text and images, you'll be able to save your updated presentation to a PC or send it directly back to your MFP for printout.

Take advantage of built-in backgrounds. The Sharp Pen Software application even gives you a built-in library of backgrounds to use during presentations—calendar, to-do list, meeting log, graph paper and action plan. They make whiteboard presentations more effective, because you don't have to create forms or data templates by hand—you can go straight to the ideas and actions you want to convey.



Write or draw directly on the image with Sharp's high-performance interactive LCD presentation solution.

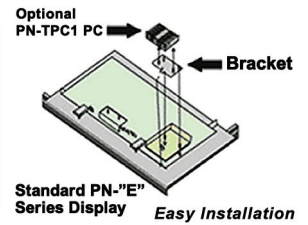
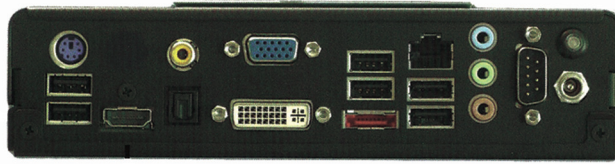
Aclear winner in digital signage. This big-screen Sharp display also provides bright, crisp, high-contrast color images that come alive in public areas like trade exhibit halls, hotel lobbies and conference areas, airport corridors and retail locations. It's been engineered for 24/7 certified commercial use, providing you with the reliability and durability needed for your business.

Abetter way to make a big impression. From boardroom to conference room, training session to selling floor, a Sharp big-screen display can magnify your success. Motivate your audience. Improve your image. And give your message the impact it deserves. With Sharp on your presentation team, the possibilities are endless . . . and every moment is right for a magnificent performance.

Perfected Interactivity & Portability

70LCDINT-PC On-Board computer

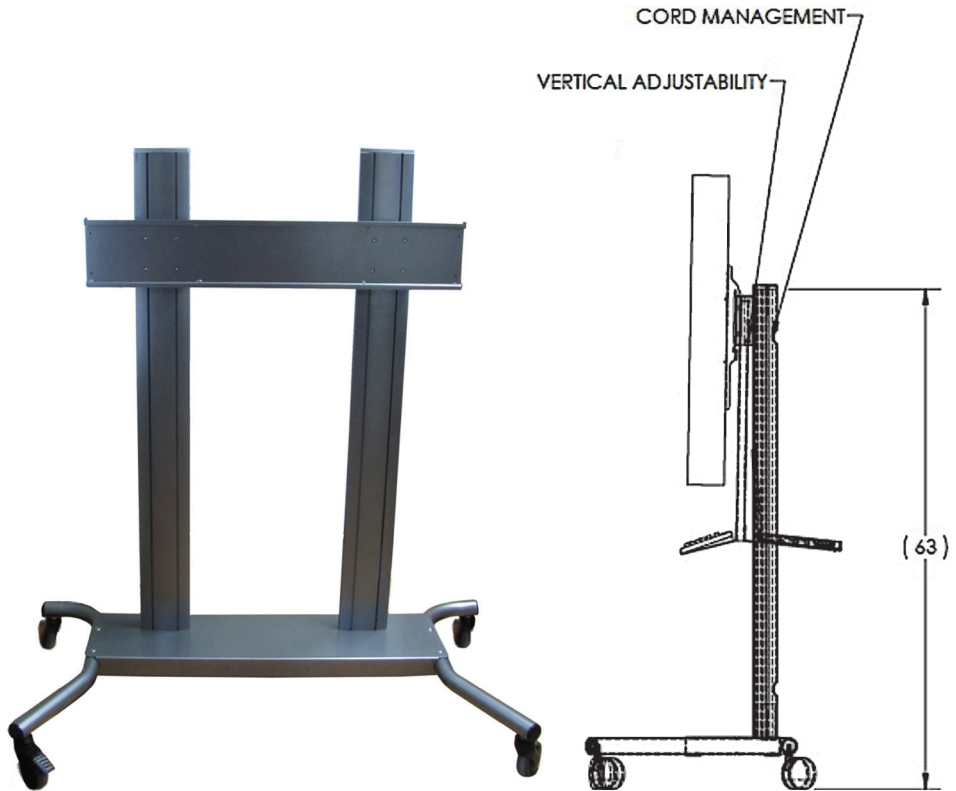
The 70LCDINT-PC compact whiteboard on-board computer easily attaches to the rear of the SHARP display. This model includes a dual core Intel® Atom™ N330 CPU and pre-loaded Sharp Pen Software™ along with touch-screen drivers. An HDMI® connecting cable is included for easy system set-up.



Processor	Intel® Atom™ N330
Processor Core	Dual-core (2 Core)
Processor Manufacturer	Intel
Processors Installed	1
Instruction Set	64-bit
Processor Speed	1.60 GHz
Bus Speed	533 MHz
Hyper-Threading	Yes
Cache	1 MB
Intel® 64 architecture	Yes
L2 Cache	1 MB
Bus/Core Ratio	12
# of Threads	4
Pre-Loaded Software	Sharp Pen Software
Location	Rear of Display

70LCDINT-Combo Four Wheel Mobile Stand

This four wheel stand fully supports both display and computer, and handles on the display unit are work perfectly in union with the stand for easy movement around the classroom or even multiple classrooms.



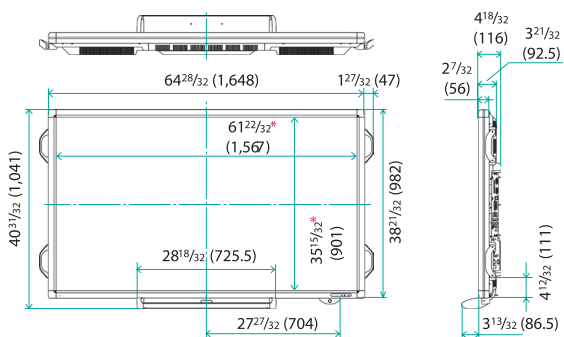
Cart Type	Four Wheel Rolling Cart
Casters	4" swivel
Shelf	Yes - Metal
Height	63"
Width	54" (From Casters)
Depth	26" (From Casters)

70LCDINT-Combo

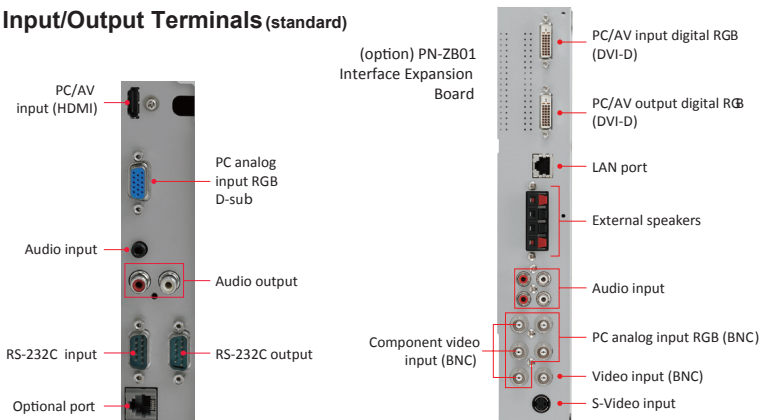
Type	Professional touch-screen monitor		
Usage	Digital whiteboard		
	Data display		
	Remote collaboration tool		
	Interactive signage monitor		
LCD component			
Backlight			
Max. resolution (pixels)			
Max. colors (approx.)			
Pixel pitch			
Max. Brightness (average)			
Contrast Ratio			
Viewing angle (H/V)			
Screen active area (approx.)			
Installation			
Computer input signal			
Sync signal			
Video color system			
Plug and play			
Power management			
Input terminals	PC/AV	Digital	HDMI ¹ x 1
	PC	Analog	Mini D-sub 15 pin, 3 rows x 1
	Audio		3.5 mm mini stereo jack x 1
	Serial (RS-232C)		D-sub 9 pin x 1
When optional PN-ZB01 is attached	PC/AV	Digital	DVI-D 24 pin (HDCP compatible) x 1
	PC	Analog	BNC ^{3,4} x 1
	AV	Composite video	BNC x 1
		S-video	x 1
		Component	BNC (Y, Cb/Pb, Cr/Pr) ³ x 1
Output terminals	Audio		RCA pin (L/R) x 2
	Audio		RCA pin (L/R) x 1
	Serial (RS-232C)		D-sub 9 pin x 1
When optional PN-ZB01 is attached	PC/AV	Digital	DVI-D 24 pin x 1
	External Speaker		7 W + 7 W [6Ω]
LAN terminal (when optional PN-ZB01 is attached)			
Speaker output			
TouchPanel	Detection method		
	Detection area (approx.)		
	PCconnector		
	Driver		
	Power supply		
	Touch pen		
Power requirement			
Operating temperature ^{*5,*6}			
Operating humidity ^{*8}			
Power consumption (Maximum/input signal waiting mode/standby mode) ^{7,*8}			
Power consumption (when optional PN-ZB01 is attached)			
Dimensions (excluding protrusions) inch (mm) (approx.)			
Weight (approx.)			
Weight (optional PN-ZB01) (approx.)			
UPC			
Main Accessories			

*1 Optional PC required. Additional 3rd party accessories and/or software may also be required. *2 Cannot be used simultaneously. *3 The analog and component BNC terminals are switchable. Use the menu to select.*4 Does not support plug and play.
 *5 Temperature condition may change when using the display together with the optional equipments recommended by Sharp. In such cases, please check the temperature condition specified by the optional equipments. *6 In addition, check the requirements of the computer and other devices to be connected, and make sure that all requirements are satisfied. 7. When AUTO INPUT CHANGE is set to OFF. *8 When STANDBY MODE is set to STANDARD. When STANDBY MODE is set to LOW POWER: 0.5 W

Dimensions (approx): inch (mm)



Input/Output Terminals (standard)



SHARP

Touchboards

© 2011 Sharp Electronics Corporation. All rights reserved.
 Printed in U.S.A • 09/11 • LC-02-389

205 Westwood Ave, Long Branch, NJ 07740
 1-866-942-6273 / Fax: (732)-222-7088
 E-mail: sales@touchboards.com

Design and specifications subject to change without notice. Sharp, Sharp Pen Software and related trademarks are trademarks or registered trademarks of Sharp Corporation and/or its affiliated entities. Microsoft, Windows, Windows XP, Windows Vista Windows 7 and PowerPoint are trademarks or registered trademarks of Microsoft in the United States and/or other countries. HDMI is a registered trademark of HDMI Licensing LLC. All other trademarks are the property of their respective owners.