

Updates:

- TeamBoard All-In-One Solutions

SPECIFICATION GUIDE

FEBRUARY 2009



Touchboards

205 Westwood Ave, Long Branch, NJ 07740
Phone: 866-94 **BOARDS** (26273) / (732)-222-1511
Fax: (732)-222-7088 | E-mail: sales@touchboards.com

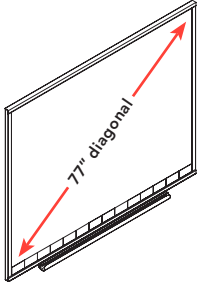
TEAMBOARD LIST PRICES

TeamBoard features an exclusive guaranteed-to-clean, low-glare EVS™ presentation surface that is excellent for use with both dry-erase markers and data projectors. There is no specialized equipment, proprietary pens, gadgets, or battery-operated parts. Most TeamBoard accessories are standard office supplies. A standard shielded network cable connects the TeamBoard to a computer—the wiring can be easily hidden in the wall or ceiling. TeamBoard is more than a powerful technology solution—it can also be used as an outstanding dry-erase whiteboard and an ideal projection surface.

TeamBoard features a 5 year warranty on hardware and a 10 year warranty on the EVS™ surface. See 'TeamBoard Terms & Conditions' on page 7 for details.

TeamBoard RT

Combining state of the art resistive touch (RT) technology with award winning EVS™ projection and dry-erase surface, TeamBoard RT is an industry-leading learning solution. TeamBoard RT comes with a detachable controller that easily slides on and off for simple upgrading or replacement.



TeamBoard RT

Code	Description	Price
TMWM6250__¹	62" w x 50" h, EganMetallic (EM) or Charcoal (CL) Frame	Call
TMWM5442__	54" w x 42" h, EganMetallic (EM) or Charcoal (CL) Frame	Call

- 1. 'Instant Ship, In Stock' availability on USB models only (TMWM6250__-WU).
- Wall Mount TeamBoard models ship with appropriate mounting bracket, and are EganSystem Track Mount compatible.
- TeamBoards ship with USB connection, unless specified differently. For TeamBoard connectivity codes and software options, see 'TeamBoard Connectivity'.

RM Easiteach® is an award-winning family of whole-class software tools and content packs that delivers engaging and stimulating whole-class teaching across the curriculum. RM Easiteach 3.4 is a lesson platform that allows educators to create interactive lessons for use throughout the curriculum.



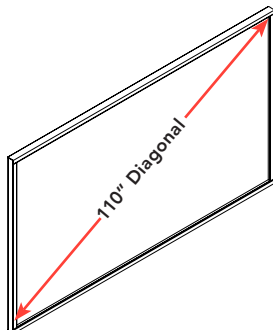
TeamBoard RM Easiteach® Studio Bundle

Code	Description	Price
TMEZ6250__¹	RM Easiteach® Studio 62" w x 50" h, EganMetallic (EM) or Charcoal (CL) Frame	Call
TMEZ5442__	RM Easiteach® Studio 54" w x 42" h, EganMetallic (EM) or Charcoal (CL) Frame	Call

- RM Easiteach® is included with the purchase of a TeamBoard by recognized education institutions only. RM Easiteach is not sold separately.

TeamBoard IR

Combining state of the art infrared (IR) technology with award winning EVS™ projection and dry-erase surface, TeamBoard IR is the world's largest interactive whiteboard. Whether in the classroom or in the office, TeamBoard IR offers you a presentation solution with the power of interactivity—made easy.



TeamBoard IR

Code	Description	Price
TMIR9856EM	98" w x 56" h, EganMetallic Frame	Call

- TeamBoards ship with USB connection, unless specified differently. For TeamBoard connectivity codes and software options, see 'TeamBoard Connectivity'.

TeamBoard Software

TeamBoard Draw is a pioneering presentation and annotation software available for the use on any touchscreen or interactive whiteboard. TeamBoard Draw can be purchased separately and is included at no additional cost with the purchase of every TeamBoard.

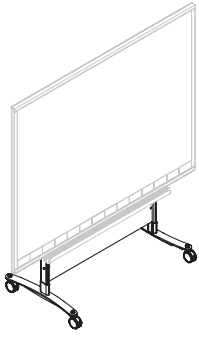


TeamBoard Draw

Code	Description	Price
TMDRAW-ENG	TeamBoard Draw	Call

TEAMBOARD LIST PRICES

TeamBoard Mobile

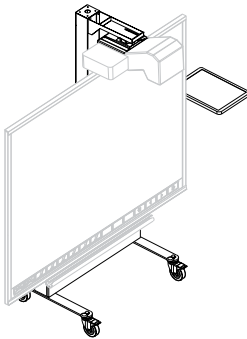


TeamBoard Mobile Stand (TeamBoard Sold Separately)

Code	Description	Price
TMMB6250CL	Height Adjustable Mobile Stand for TMWM6250 & TMWM5442 TeamBoard RT	Call

The Height Adjustable TeamBoard Mobile Stand has a 6 position adjustable height. The top of the TeamBoard ranges from 66-1/2" to 82-1/2" high at 3-1/4" intervals. The stand features 4 'lock-solid' casters locking both caster pivot and wheel rotation actions for greater stability.

TeamBoard Mobile Height Adjustable Stand is finished with Anodized Aluminum uprights and Charcoal base.



TeamBoard Mobile UST Stand (TeamBoard and UST Data Projector sold Separately)

Code	Description	Price
TMPS6250BL	Mobile UST Stand for TMWM6250 TeamBoard RT	Call

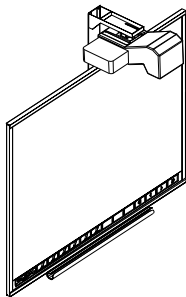
The TeamBoard Ultra-Short Throw Mobile Stand has motorized height adjustment that maintains projector calibration. The TeamBoard adjusts from 61-1/2" to 81-1/2" high—a full 20 inch range. In it's lowest position the Mobile UST Stand is at a comfortable height for wheelchair use and will roll through a doorway with the projector in place.

The stand features 4 'lock solid' casters locking both caster pivot and wheel rotation actions for greater stability. The stand also has a rotating platform for a laptop.

TeamBoard Mobile UST Stand Finish: Black.

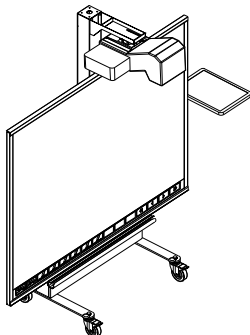
TeamBoard All-In-One Solutions

TeamBoard All-In-One solutions include the TeamBoard RT, an XGA ultra-short throw multimedia projector and either a TeamBoard Mobile UST stand or a projector wall mount bracket. TeamBoard's ultra-short throw projectors are true XGA (1024 x 768) resolution and features: 2000 ANSI lumens, 600:1 contrast ratio, and a 4:3 aspect ratio. The TeamBoard Projector UST features the world's shortest projection distance. In it's lowest position, the UST Mobile will travel through a standard 36" doorway.



TeamBoard Total Wall Mount

Code	Description	Price
TMUST62__-WK	TMWM6250__ TeamBoard RT, EganMetallic (EM) or Charcoal (CL) Frame TMPS-XL50 TeamBoard Projector UST with Wall Mount Bracket	Call
TMUST62__-WKSP	TMWM6250__ TeamBoard RT, EganMetallic (EM) or Charcoal (CL) Frame TMPS-XE50 TeamBoard Orange Security Projector UST-OR with Wall Mount Bracket	Call



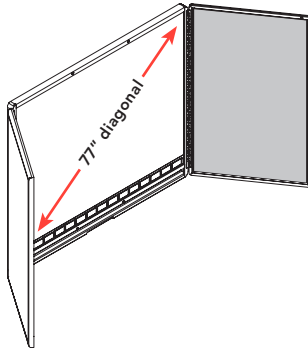
TeamBoard Total Mobile

Code	Description	Price
TMUST62__-MK	TMWM6250__ TeamBoard RT, EganMetallic (EM) or Charcoal (CL) Frame TMPS6250BL Mobile UST Stand TMPS-XL50 TeamBoard Projector UST	Call
TMUST62__-MKSP	TMWM6250__ TeamBoard RT, EganMetallic (EM) or Charcoal (CL) Frame TMPS6250BL Mobile UST Stand TMPS-XE50 TeamBoard Orange Security Projector UST-OR	Call



TEAMBOARD LIST PRICES

TeamBoard Cabinets



TeamBoard RT Cabinets—Bullnose Edge

Code	Description	Price
TMBW62	62" w x 50" h, Wood	Call
TMBW54	54" w x 42" h, Wood	Call
TMBX62	62" w x 50" h, Etex	Call
TMBX54	54" w x 42" h, Etex	Call

Cabinet Options

Code	Description	Price
F	2nd Flipchart	Call
L	Lock	Call
EVS	EVS Door Core	Call

Inlay Options (Wood Cabinets Only)

Code	Description	Price
B	Brass	Call
S	Steel	Call

TeamBoard RT cabinets include two tackable fabric panels, a flipchart/tearbar to suspend from either door, and a built-in pen tray. Note: Flipcharts are not available with the EVS Door Core (EVS) option.

Etex Finish Options

- EganMetallic (EM)
- Taupe (TA)
- Putty (PY)
- Platinum (PT)
- Sand (SN)
- Gray (GR)
- Slate (SL)
- Charcoal (CL)
- Black (BL)
- Custom Color options (CC)

Wood Finish Options

- Black Oak (BO)
- Dark Oak (DO)
- Medium Oak (MO)
- Light Oak (LO)
- Maple (MP)
- Mahogany (MA)
- Walnut (WA)
- Cherry (CH)
- Custom Stain options (CS)

Fabric Options

- Egan Fabric (SF)
- Grade A Fabric (A_FAB)
- Grade B Fabric (B_FAB)
- Grade C Fabric (C_FAB)
- Customers Own Material (COM)

Color Plus Upcharges

Code	Description	Price
Custom Color	For Etex Cabinets, TeamBoard Frames	Call
Custom Stains	For Wood Veneer Cabinets	Call

Tackable Fabric Upcharges

Code	Description	54" Cabinet	62" Cabinet
Grade A Fabric	Maharam Grade A Fabric	Call	Call
Grade B Fabric	Maharam Grade B Fabric	Call	Call
Grade C Fabric	Maharam Grade C Fabric	Call	Call
COM	Customer's Own Material	Call Customer Service	

TeamBoard Options and Accessories

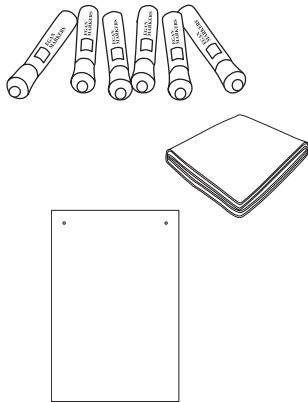


TeamBoard Bluetooth® Wireless Tablet

Code	Description	Price
TMA-TABLET	Includes Bluetooth™ wireless tablet 6" w x 4.5" h	Call

TeamBoard's Bluetooth™ wireless tablet connects to your computer via USB and is compatible for Windows® only.

The tablet includes TeamBoard Draw SA software, a cordless pressure-sensitive pen, 4 rechargeable batteries, and North American battery charger.



TeamBoard Supplies

Code	Description	Price
ACDZTB	TeamBoard Markers: Assorted package of 12, two of each color ²	Call
EVEC12	EganCloth 12-pack: (16" x 12") x 12	Call
EVEC24	EganCloth 24-pack: (16" x 12") x 24	Call
ACDZSTYLUS	TeamBoard Stylus: package of 12	Call
ACFL20305	Flipchart Pads for TeamBoard Cabinets ³	Call

For supplies shipped with each TeamBoard, see "Every TeamBoard Includes".

2. OR please specify color choice:
Red (ACDZRE), Green (ACDZGR), Brown (ACDZBR), Black (ACDZBL),

3. 50 sheets per pad, 5 pads per box.

TeamBoard Connectivity

All connectivity options include a controller, an adapter, RJ45 cable, and Quick Start Guides.



Suffix Code	Description
-WS ⁵	Serial TeamBoard for Windows—Includes TeamBoard software for Windows®, serial controller, serial adapter, power adapter and power cord.
-WU	USB TeamBoard for Windows—Includes TeamBoard software for Windows, USB controller, and USB Adapter.
-MC	USB TeamBoard for Mac OS® X—Includes TeamBoard software for Mac OS® X, USB controller, and USB Adapter.

Hardware Connectivity Kits

All Hardware Kits include TeamBoard software, Quick Start Guide, and RJ45 cable.



Code	Description	Price
TMC-SER ⁵	Serial Kit for Windows—Includes serial controller, serial adapter, power adapter, and power cord.	Call
TMC-USB	USB Kit for Windows—Includes USB controller and USB adapter.	Call
TMC-MAC	USB Kit for Mac OS® X—Includes USB controller and USB adapter.	Call

5. Available for TeamBoard RT only.



TEAMBOARD SPECIFICATIONS

TeamBoard Configurations

62x50 RT Models	U.S. Dimensions (Diagonal Measure)	Metric Dimensions (Diagonal Measure)
Wall Mount	62-5/8" w x 49-1/2" h x 1-3/8" d (77" diagonal)	159cm x 125.7cm x 3.5cm (195.6cm diagonal)
Cabinets	63-3/4" w x 53-5/8" h x 3-9/16" d (77" diagonal)	161.9cm x 136.2cm x 9cm (195.6cm diagonal)
UST Mobile Stand	32 1/4" w x 77 5/8" h x 28 1/8" d (Lowest position)	82cm x 197cm x 72cm (Lowest position)
	32 1/4" w x 97 7/8" h x 28 1/8" d (Highest position)	82cm x 249cm x 72cm (Highest position)
Mobile Stand	41-3/4" w x 59-1/2" h x 24" d	106cm x 151cm x 61cm

54x42 RT Models	U.S. Dimensions (Diagonal Measure)	Metric Dimensions (Diagonal Measure)
Wall Mount	54-1/2" w x 43-3/8" h x 1-3/8" d (66" diagonal)	138.4cm x 110.2cm x 3.5cm (167.64cm diagonal)
Cabinets	55-5/8" w x 47-5/8" h x 3-9/16" d (66" diagonal)	141.3cm x 121cm x 9cm (167.64cm diagonal)
Mobile Stand	41-3/4" w x 59-1/2" h x 24" d	106cm x 151cm x 61cm

IR Models	U.S. Dimensions (Diagonal Measure)	Metric Dimensions (Diagonal Measure)
Wall Mount	98 1/8" w x 56 1/2" h x 2 1/2" d (77" diagonal)	249cm x 144cm x 6.4cm (196cm diagonal)

PC Recommendations for TeamBoard Suite 5 Software

Operating System:	Windows® 2000	Windows® XP	Windows Vista™	Mac OS® X 10.4*
RAM:	512MB	512MB	1GB	512MB
Hard Drive Space:	300MB	300MB	300MB	300MB
CPU:	500Mhz or better	500Mhz or better	500Mhz or better	G4 or better

Connectivity Requirements

Windows—Serial	COM Port (9-Pin)
Windows—USB	USB Port
Mac OS® X—USB	USB Port

Power Supply (for Serial Controllers only)

Input Voltage	100 – 240 Vac
Input Frequency	47 – 63Hz 0.4A
Output Voltage	9 Vdc
Output Current	200 mA

* Mac OS® X software currently available for TeamBoard Suite only.

Every TeamBoard Includes

Each TeamBoard ships complete with TeamBoard Suite software for your specified operating system (Windows® or Mac OS® X), Quick Start Guides, Pen Tray (built into Cabinet model), six markers, stylus, EganCloth™ with mounting bracket, and all necessary adapters and cables.

TeamBoards ship with USB connection, unless specified differently.

TEAMBOARD TERMS & CONDITIONS



Published Price List

US orders are F.O.B. Buffalo, NY (14150-0888) and Commerce, CA (90040-3031). Freight is prepaid and allows for normal ground transportation within the 48 contiguous states.

Freight Policy

TeamBoard's no hassle Freight Included Pricing program has had great success. TeamBoard IR, TeamBoard Mobile Stands, TeamBoard All-In-One solutions, TeamBoard Cabinets and TeamBoard Options & Accessories ship freight included. The Freight Included Pricing program requires a minimum of four (4) TeamBoard RT interactive whiteboards on one order, to one location. Orders of three (3) RT models or less will be subject to a surcharge of \$100.00 list per board.

Air freight, accessorial charges e.g. delivered to limited access sites (mines, prisons, military, schools, hospitals), inside deliveries, blanket wrapped, construction site delivery, residential delivery, will calls and special delivery beyond dock-to-dock delivery, will be quoted and invoiced. Egan TeamBoard Inc.'s responsibility ceases when it turns the shipment over to the carrier (see 'Shipment Claims').

Orders

Orders are binding upon Egan TeamBoard Inc. only upon acceptance by the executive office of Egan TeamBoard Inc. Orders accepted by Egan TeamBoard Inc. shall be subject to the Terms and Conditions set forth in its Acknowledgment and Invoice, notwithstanding any variance in terms and conditions set forth in the buyer's order forms. Orders are subject to limit or withdrawal of credit at any time.

Minimum order value \$100.00 list.

Terms

The approved purchaser will be invoiced for the goods as they are shipped and payment is due thirty (30) days from the date of invoice. Late penalties will be charged on overdue invoices. Orders are payable in US funds and do not include taxes or installation. All orders accepted are subject to prices prevailing at time of shipment.

Specification Changes

The right to affect, change, or discontinue models at any time without prior notice remains the right of Egan TeamBoard Inc. This right to change applies to catalog contents, price lists, fabric or finishes as well as details and dimensions.

Change Orders

Our order acknowledgment is final and binding and any subsequent change is subject to our ability to secure materials and labor. We reserve

the right to increase our acknowledged price if such a change warrants any extra charge.

Packing and Crating Charges

All products are shipped via common carrier, and are normally shipped one unit per cardboard container. Packaging charges are included in our list prices.

Cancellations

The cancellation of orders before production has begun is governed by our ability to conform, and a service fee may be imposed at our discretion. Once production has begun neither standard or custom orders are subject to change or cancellation.

Returns

Merchandise may not be returned without our prior written consent. If returned within 30 days and by agreement, a restocking and repacking charge will be deducted from the credit note in addition to any expense for reconditioning that may be necessary. Return transportation must be prepaid, packed in the original cartoning.

Shipping

Egan TeamBoard Inc. reserves the right to ship by what is in our opinion the best method. Egan TeamBoard Inc. is not responsible for delay, failure to deliver due to strikes, lockouts, fires, floods, storms, acts of God or other causes beyond our control.

Shipment Claims

Damage claims must be filed with the carrier by the buyer. The legal responsibility of Egan TeamBoard Inc. ceases when the shipment is turned over to a common carrier. The buyer has the sole obligation of seeking recourse against the carrier. Inspect shipment thoroughly prior to signing the bill of lading. Keep packaging materials for inspection by the carrier in the event of a damage claim. Claims must be filed within 14 days of receipt of shipment.

Storage

Orders will ship in accordance with our acknowledged shipping dates. If customers cannot accept delivery on this date, Egan TeamBoard Inc. reserves the right to arrange storage at the customer's risk and expense and to invoice the merchandise when it is placed in storage.

Defects and Shortages

All claims must be reported in the first thirty (30) days after delivery of goods. Egan TeamBoard Inc. assumes no responsibility for misuse or abuse.

Warranty

Egan TeamBoard Inc. warrants the construction and components for normal and reasonable use for a period of 5 years from the date of invoice for the following products: TeamBoard RT,

TeamBoard Mobile Height Adjustable Stand and TeamBoard Cabinets.

Egan TeamBoard Inc. warrants the construction and components for normal and reasonable use for a period of 1 year from the date of invoice for the following product categories: TeamBoard IR, TeamBoard Mobile UST Stand, and TeamBoard Options and Accessories.

Projectors included in the TeamBoard All-In-One solutions are warranted by Sanyo Canada and Sanyo US. Please refer to the Sanyo Comfort Warranty and Sanyo Quick Repair Program for details. Egan TeamBoard Inc. does not warrant any projectors sold.

This is a product warranty only and does not cover the cost of labor or shipping to and from our factory. Items may be returned with prepaid shipping with the prior written consent of Egan TeamBoard Inc. The warranty does not cover damage to any product resulting from negligence, abuse or accidents including but not limited to: burns, cuts, scratches, tears, scuffs, kinks, paint, abrasive chemicals, permanent marker damage, damage from markers other than EganMarkers™ or indentations. Conditions after leaving our facility are beyond our control. Egan TeamBoard Inc. is not responsible for freight or shipping damage, damage due to harsh environments or acts of God.

All decisions of workmanship, failure, misuse and abuse remain with the manufacturer. No warranties other than those contained herein shall be applied.

Egan Visual Surface™ (EVS™ Presentation) Warranty

Egan TeamBoard Inc. offers a 10 year limited warranty, from the date of invoice, on the EVS™ surface, provided proper care has been maintained. The warranty does not cover damage to the surface resulting from negligence, abuse or accidents including but not limited to: burns, cuts, scratches, tears, scuffs, kinks, paint, abrasive chemicals, permanent marker damage, damage from markers other than EganMarkers™ or indentations. Use EganMarkers™ and EganCloth™ only. The use of any other product on the surface will void the warranty.



Instant Ship In Stock Program

All products identified in **RED** are available from the Instant Ship Program. Products are available from stock for immediate shipment. No upcharge. Quantities of five or greater are subject to availability.

Please call for confirmation.

Touchboards

205 Westwood Ave, Long Branch, NJ 07740
Phone: 866-94 BOARDS (26273) / (732)-222-1511
Fax: (732)-222-7088 | E-mail: sales@touchboards.com