

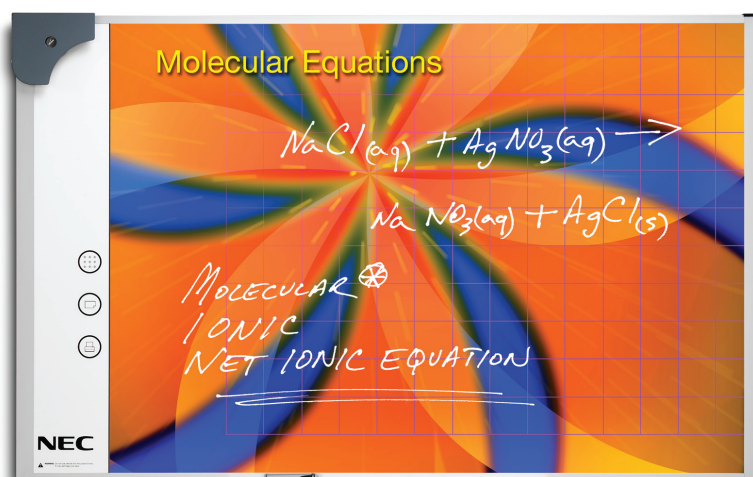
## NEC IW77

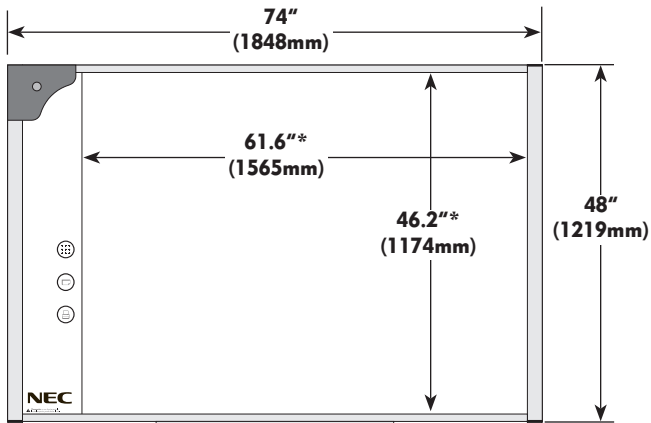
Interactive whiteboard ideal for educational environments

Revolutionize the classroom by getting students more involved with day-to-day materials. By utilizing a PC or Mac and a projector, the power of this teaching tool will increase students' attention and retention.

### FEATURES AND FUNCTIONS

- **Complete compatibility.** Works with any NEC projector.
- **Annotation tools** include pen, shapes, highlighter, eraser, redo/undo and save buttons allowing users to create endless possibilities on the screen. Teach everything from handwriting to music all on the board and be able to save files for students to take home.
- **Web collaboration.** Broadcast and share material over an intranet or the Internet. The host broadcasts the material over a network and participants log in to see notes and annotations in real-time.
- **Mouse functionality** allows the user to control the desktop from the board with the included stylus pen. Open files, browse the Internet and much more.
- **Present almost instantly.** PowerPoint button brings up a File > Open window that allows the user to quickly open up PowerPoint files in Slideshow mode.
- **Three different interactive tools** to choose from:
  - **SCRAPBOOK application.** The scrapbook turns the image on the whiteboard surface into a digital workspace. Multiple tools within the application allow the user to record notes digitally, import screen shots and other files as background images, save scrapbook files and use layers to hide and show elements of a page
  - **Desktop palette.** Allows quick selection of major functions including annotation, pop-up keyboard.
  - **PowerPoint palette.** Allows annotation and navigation from slide presentations.
- **Durable surface.** Specially researched and developed porcelain enamel skin from Alfher Porcewol combine to withstand almost any common usage damage to the surface.





\* WRITING SURFACE DIMENSIONS



The IW77's easy buttons allow for quick access to printing, calibrating and opening a new page.



The digital stylus puts the power of interactivity right in your hand.



The eBeam sensor receives coordinates from the stylus, driving the IW77's interactive functionality.

### Specifications for IW77

<b>Display Aspect Ratio</b> <b>Inputs</b> <b>Computer Interface</b> <b>Screen Size</b> Diagonal W x H <b>Positional Accuracy</b>	4:3 Infrared and ultrasonic USB 2.0 77 in. / 1956mm 61.6 x 46.2 in. / 1565 x 1174mm +/- 1.5mm
<b>MECHANICAL</b> <b>Overall Dimensions (W x H x D)</b> <b>Weight</b> Net Gross	74 x 48 x 2 in. / 1848 x 1219 x 50.8mm 63 lbs. 77 lbs.
<b>ENVIRONMENTAL</b> <b>Operating Temperature</b> <b>Humidity</b>	16 - 32°C 40 - 70%
<b>BUNDLED SOFTWARE*</b>	Interactive software providing organization for gathering, preparing, presenting and sharing computer content. Handwriting recognition provided via Microsoft Office software
<b>MINIMUM SYSTEM REQUIREMENTS</b> <b>Windows</b>  <b>Macintosh</b>	Pentium IV, 512MB RAM, 20 MB available HD space; Windows XP, 2000, 2003, Vista, and Tablet PC Mac OS X 10.4 and higher Available USB port
<b>WARRANTY</b>	Two-year limited warranty on hardware and software
<b>IN THE BOX</b>	Interactive whiteboard, interactive stylus pen and battery, NEC interact software CD-ROM, mounting bracket and hardware, Quick Reference Guide and Install Guide
<b>ACCESSORIES</b> <b>IWSTYLUS</b> <b>IWSTAND</b>	Replacement stylus Portable whiteboard stand

\* Macintosh software available for download at [www.necedisplay.com](http://www.necedisplay.com)



INTERACTIVE TECHNOLOGY ENABLES CONTROL OF COMPUTER AND COURSE CONTENT

INVOLVES STUDENTS IN SUBJECT MATTER PROMOTING INCREASED SUBJECT RETENTION

NEW PROJECTS AND EDITS TO EXISTING MATERIALS CAN BE SAVED FOR FUTURE REVIEW

WHITEBOARD INCLUDES MOUNTING HARDWARE, INTERACTIVE DIGITAL STYLUS AND SOFTWARE



IW77 shown with optional IWSTAND.

DLP and the DLP logo are registered trademarks of Texas Instruments. All other brand or product names are trademarks or registered trademarks of their respective holders. Product specifications subject to change. 10/07 ver. 1.  
 ©2007 NEC Display Solutions of America, Inc. All rights reserved.

**NEC Display Solutions**  
 500 Park Boulevard, Suite 1100  
 Itasca, IL 60143  
 866-NEC-INFO

**NEC**