



VICTORY NON GSA
ELECTRIC TABLE BASE

- Height Adjustment Range: 25.3"
 - LOW: 24.4" | HIGH: 49.7"
- Adjustment Speed: 1.4"/second
- Lifting Capacity:
- 220 lbs (2-leg) / 330 lbs (3-leg)
- Adjustable Cross Channels
- Soft Start feature allows the user to ease-in to a height adjustment
- Anti-Collision Safety Feature

- SILVER (-SLV)
- BLACK (-BLK)
- WHITE (-WHT)

Example: 2VT-C28-24-**BLK** =
2 Leg Victory with 28 x 24 cross
channels in **BLACK**



AVAILABLE 2 LEG WORK SURFACES

*CALL CUSTOMER SERVICE FOR 120° WORK SURFACE OPTIONS.



RECTANGLE



PENINSULA

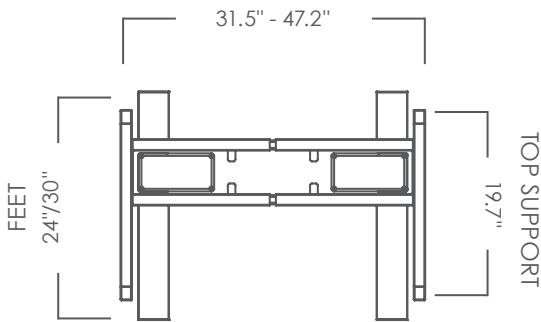


SMALL EQUAL CORNER

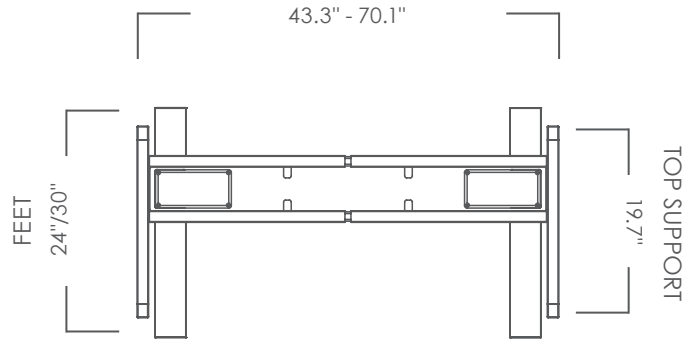


120 DEGREE*

2VT-C36-24 & 2VT-C36-30
WIDTH ADJUSTS FROM



2VT-C48-24 & 2VT-C48-30
WIDTH ADJUSTS FROM



DIGITAL KEYPAD
VICTORY UPGRADE



- Digital programmable switch with 3 memory settings
- Low Standby Power Consumption

PART # **DGTLKPD-VE3** LIST PRICE **\$125**

CASTERS

Set of 4 casters for Victory 2 leg

- Increases height by 2"

PART # **CASTER-SP2** 4 CASTERS LIST PRICE **\$64**

VICTORY 2 LEG ORDERING OPTIONS

		DIMENSIONS			BASE PART # <small>SPECIFY COLOR PREFERENCE</small>	BASE LIST	SURFACE PART #	SURFACE LIST
		WL	WR	D				
RECTANGLE		36	24		2VT-C36-24-___	\$1,735	2R3624__	\$356
		42	24		2VT-C36-24-___	\$1,735	2R4224__	\$388
		48	24		2VT-C48-24-___	\$1,757	2R4824__	\$388
		60	24		2VT-C48-24-___	\$1,757	2R6024__	\$489
		72	24		2VT-C48-24-___	\$1,757	2R7224__	\$489
		36	30		2VT-C36-30-___	\$1,817	2R3630__	\$417
		42	30		2VT-C36-30-___	\$1,817	2R4230__	\$418
		48	30		2VT-C48-30-___	\$1,839	2R4830__	\$418
		60	30		2VT-C48-30-___	\$1,839	2R6030__	\$546
PEN		72	30		2VT-C48-30-___	\$1,839	2R7230__	\$752
		60	30		2VT-C48-30-___	\$1,839	P6030__	\$1,100
SEC		72	30		2VT-C48-30-___	\$1,839	P7230__	\$1,121
		42	42	24	2VT-C36-24-___	\$1,735	2EC424224__	\$1,100
	48	48	24	2VT-C36-24-___	\$1,735	2EC484824__	\$1,136	

WORK SURFACES ARE NOT SOLD SEPARATELY. SEE LAMINATE GUIDE FOR DETAILS.



205 Westwood Ave, Long Branch, NJ 07740
Phone: 866-94 BOARDS (26273) / (732)-222-1511
Fax: (732)-222-7088 | E-mail: sales@touchboards.com

esiergo.com | 800.833.3746

Woman-Owned Business • GSA Contract Holder • CAP & GIZA • Project Matrix • ICE

V28 Catalog

