

FSR Fire-Resistant Poke-Thru Floor Boxes

FSR's Fire-Resistant "Poke-Thru" floor boxes provide capacity, aesthetics and installation ease.

Designed for use in fire rated floors, these sturdy core hole products are available in 4", 6" and 8" diameters.

All models combine flexibility via recessed mounting bracketry to accommodate a wide assortment of power, data and audio video connection options. A complete line of sub-plates for device mounting and connectors are available.

Covers are available in three architectural finishes:

- Brushed Aluminum
- Brushed Brass
- Black

The cover technology exceeds UL scrub water testing requirements.



SmartFit 4"

- Easy installation, simply drill a 4" hole and install
- "Step down" installation clips allow the fitting to be removed from the floor from above
- Stationary fire barrier expands during fire conditions to provide an upper fire seal
- Adjustable fire barrier accommodates concrete thickness from 3" to 6"
- Features dual 1" EMT or 3/4" and 1/2" EMT conduit for increased cable capacity
- Accepts FSR SmartFit cover for both carpet and tile applications
- UL Listed for use in 1-4 hour rated floors



SmartFit 6"

- Easy installation, simply drill a 6" hole and install
- Drop down cable access doors to reduce trip hazards
- Furniture feed option (6" core hole) for up to thirty CAT 6a data cables and ten 10 AWG power wires
- Pre-pour sleeve eliminates the need for core hole drilling
- Sub-plates accept IPS Plates and third party devices
- Features 3/4" and 2" EMT conduits tubes
- UL Listed for use in 2 hour rated floors



SmartFit 8"

Same features as SmartFit 6" plus...

- Easy installation, simply drill a 8" hole and install
- Drop down cable access doors to reduce trip hazards
- Pre-pour sleeve eliminates the need for core hole drilling
- Sub-plates accept IPS Plates and third party devices
- Multiple conduit tube options are available. (See spec sheet)
- UL Listed for use in 2 hour rated floors



244 Bergen Boulevard · Woodland Park, NJ 07424
800.332.FSR1 · 973.785.4347 · F: 973.785.3318
W: fsrinc.com · E: sales@fsrinc.com LIT1458A

© 2013 FSR, Inc. All Rights Reserved. Specifications subject to change.

Touchboards

205 Westwood Ave, Long Branch, NJ 07740
Phone: 866-94 BOARDS (26273) / (732)-222-1511
Fax: (732)-222-7088 | E-mail: sales@touchboards.com



Our new Fire-Resistant floor solutions expand the versatility of our floor box line by providing enhanced, fire-resistant versions of our existing products. All of our FR products are UL listed and comply with UL 263 Fire Resistance Ratings.

Fire-Resistant Floor Box Solutions



Pour in Place Floor Box Solutions



205 Westwood Ave, Long Branch, NJ 07740
 Phone: 866-94 BOARDS (26273) / (732)-222-1511
 Fax: (732)-222-7088 | E-mail: sales@touchboards.com

The Fire-Resistant Kit is offered in two sizes: the FL-500P-6-FRK and FL-605P-6-FRK. Both models include a UL listed 3-hour Fire-Resistant Floor Box system comprised of a FireStop box, and four FL-FRK 1½" Intumescent-lined Conduit Assemblies, hardware and installation instructions. A temporary cover is included and protects the floor boxes interior during installation.

The systems are approved for installations using either light or normal weight concrete. The floor box height position can be adjusted accordingly to bring the floor box to the proper level before the pour. When the pour box cavity is filled, the concrete thickness around the floor box meets or exceeds the UL fire-resistant ratings of the floor.

The support structure of the decking must be designed by a Structural Engineer to assure conformance to local building codes. The FL-FRK FireStop Box is affixed to the decking by means of welding, or TEK screws.

Our Floor Boxes combine rugged construction and an elegant design for use in carpet, tile or wood covered floors over poured concrete applications. They are perfect for ballrooms, convention spaces and high traffic areas. Detailed spec sheets on these systems can be found in FSR's document library.

There is ample compartment room to accommodate power, audio, video, telecommunications and data in these elegant and practical boxes. The floor boxes include all the necessary internal plates and brackets to make "pre" and "post" pour compartment changes quick and easy. Using this system, both high and low voltage gang configurations along with compartment isolation can be implemented "on the fly". This makes just about any cabling/connector scenario possible using FSR's IPS or other connector sources.

FL-500P-6-FRK Fire-Resistant Transformable Floor Box Systems

- Leveling feet
- Removable center divider for passing cables through compartments
- Up to 8-gang capacity undivided. If divided any combination that totals 3 to 4 gangs per side is permissible
- 11-gauge steel temporary construction cover included
- Internal plates and brackets included

Other depths available consult an FSR sales associate

Watch the video at <http://bit.ly/1j7yT0Z> or scan this QR code

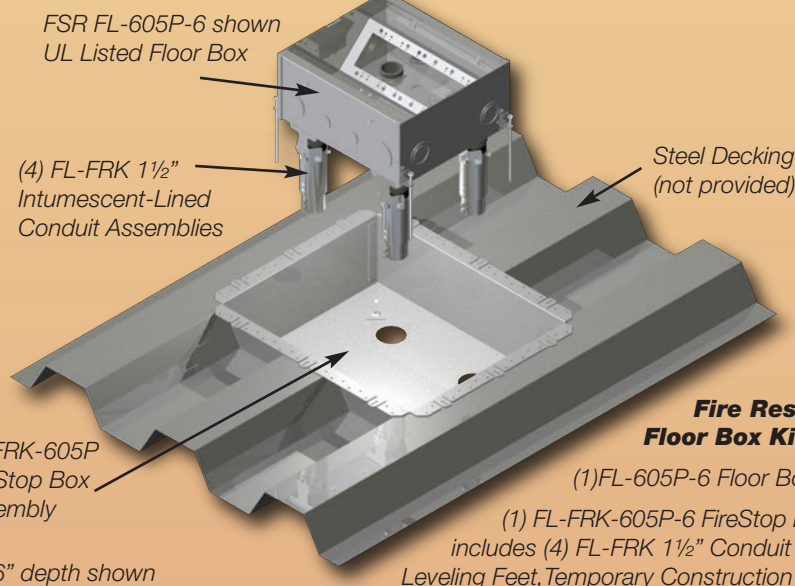
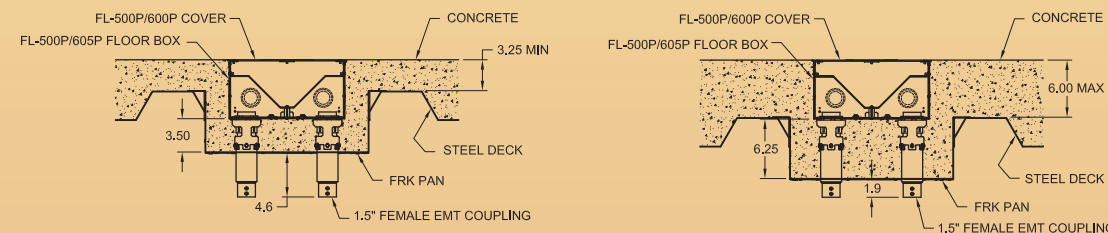
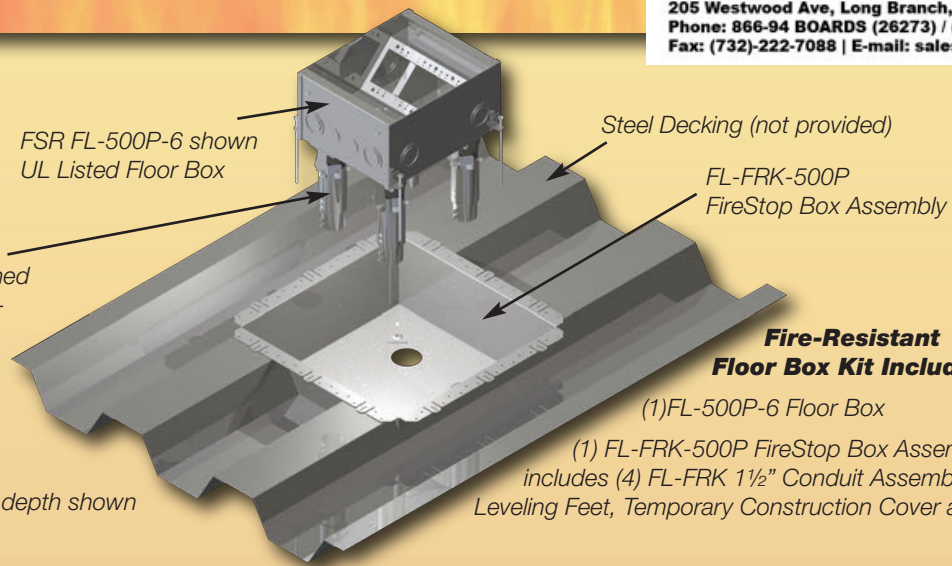


NEW!
Larger Capacity

FL-605P-6-FRK Fire-Resistant Transformable Floor Box Systems

Same features as the FL-500P-6-FRK plus additional space and gang openings.

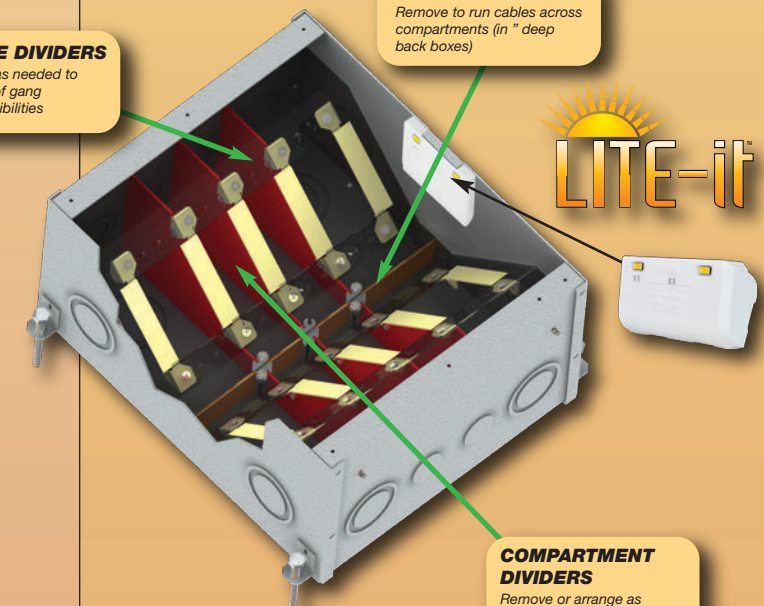
- Up to 12-gang capacity undivided. If divided any combination that totals 4 to 5 gangs per side is permissible



FL-500P-6-FRK and FL-605P-6-FRK box interior view. (FL-500P-6-FRK shown)



GANG PLATE DIVIDERS
Add and remove as needed to form a multitude of gang arrangement possibilities



Elegant Cover Choices for Carpet, Wood and Tile Floors

There are a variety of covers to choose from. Options include integrated carpet edging, flat covers for non-carpeted, bare floor applications and different finishes. The lift-off section of the cover allows full access to internal connector plates and stored cables. The hinged cable exit door flips back to allow the cover to remain in place after connections are made and cables are routed through it. The 0.25" raised edge style covers are UL scrub water approved.

