

1. INSTALL CB-22 TO A STRUCTURAL CEILING ABLE TO SUPPORT FIVE TIMES THE NOTED GROSS WEIGHT. USE APPROPRIATE MOUNTING METHODS BASED ON LOCAL BUILDING CODES. INSTALL SAFETY CABLE AS REQUIRED BY LOCAL BUILDING CODES. ROUTE CONDUITS TO BOX AS REQUIRED.

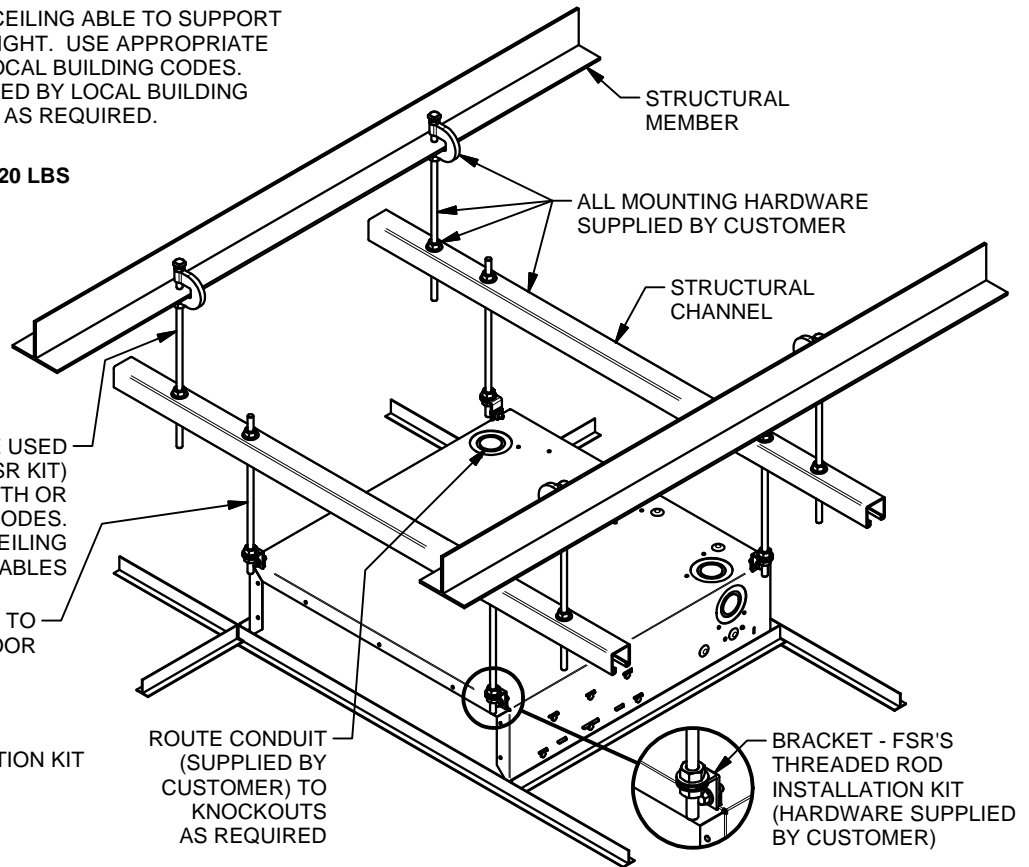
NOTE: MAXIMUM GROSS WEIGHT - 120 LBS

NOTE: THREADED ROD IS THE RECOMMENDED CEILING BOX MOUNTING SUSPENSION (SHOWN), TO MINIMIZE FIXTURE TILTING DUE TO THE WEIGHT OF ANY SUSPENDED EQUIPMENT.

14 GA. STEEL TIE WIRE MAY BE USED (SUPPLIED BY CUSTOMER OR USE FSR KIT) AT 70,000 PSI TENSILE STRENGTH OR BETTER AS REQUIRED BY BUILDING CODES. NOTE: WIRES SUPPORT CEILING BOX, AND ARE **NOT** SAFETY CABLES

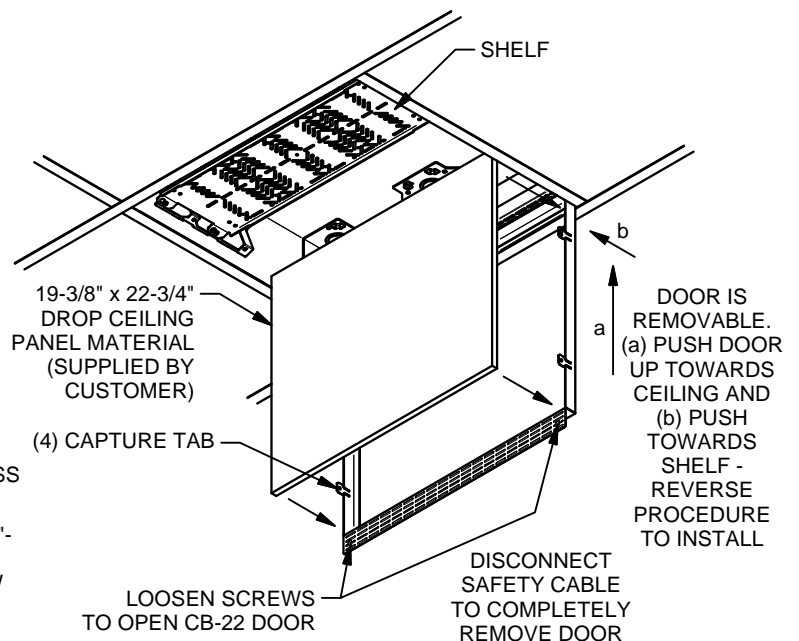
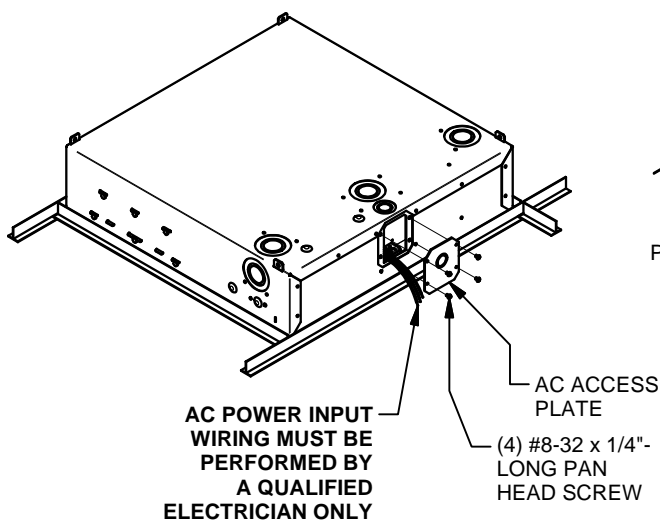
THREADED ROD OR CABLE TO BE PLUMB WITH CEILING AND FLOOR

AVAILABLE KITS (SOLD SEPARATELY):
 CB-MNT1 - CABLE INSTALLATION KIT
 CB-THRD - THREADED ROD INSTALLATION KIT



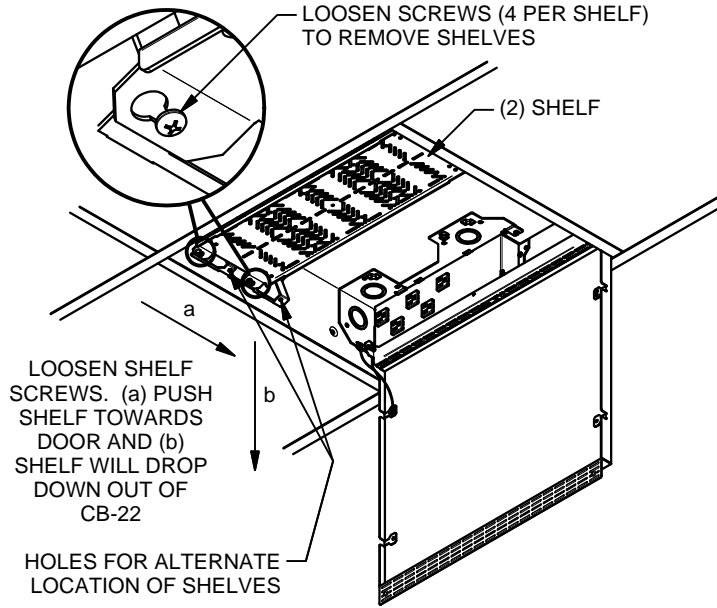
2. TO INSTALL AC MAIN POWER INTO THE UNIT, REMOVE THE AC ACCESS PLATE BY REMOVING (4) #8-32 SCREWS, AS SHOWN. WIRING MUST BE PERFORMED BY A QUALIFIED ELECTRICIAN ONLY. WIRING MUST BE DONE IN ACCORDANCE WITH ALL NEC AND OTHER APPLICABLE CODES. RE-INSTALL AC ACCESS PLATE AFTER AC WIRING IS COMPLETE.

3. REMOVE CEILING BOX DOOR. INSTALLATION OF 19-3/8" x 22-3/4" DROP CEILING PANEL MATERIAL INTO DOOR CAN BE DONE NOW, WHILE DOOR IS OFF, OR DURING RE-ASSEMBLY. BEND CAPTURE TABS OVER CEILING PANEL TO HOLD IN PLACE.



- 4a. REMOVE SHELF, AND MOUNT ELECTRONICS TO SHELF. USE HOLE/SLOT PATTERN ON SHELF TO MOUNT EQUIPMENT. ADDITIONAL HOLES MAY BE REQUIRED. SEE 4b. FOR INSTALLING RACK MOUNTED UNITS. RE-INSTALL SHELF INTO CB-22. MAKE ELECTRICAL CONNECTIONS AS REQUIRED.

NOTE: MAXIMUM LOAD PER SHELF - 20 LBS EACH



- 4b. FOR 1RU x 19" EIA RACK-SIZED ELECTRONICS, INSTALL RACK MOUNT BRACKETS AS SHOWN. INSTALL RACK MOUNT UNIT AND RE-INSTALL SHELF INTO CB-22. MAKE ELECTRICAL CONNECTIONS AS REQUIRED.

NOTE: MAXIMUM LOAD PER SHELF - 20 LBS EACH

