

 innovative

HEADQUARTERS:
Innovative Office Products
100 Kuebler Road
Easton, PA 18040
United States
800.524.2744
www.LCDarms.com

Innovative Europe ApS
Center Boulevard 5
Copenhagen, 2300
Denmark
+45 469.490.79
sales@LCDarms.eu
www.LCDarms.eu

 WINSTON

Winston Workstation®
SIT-STAND WORKSTATIONS



Touchboards
205 Westwood Ave, Long Branch, NJ 07740
Phone: 866-94 BOARDS (26273) / (732)-222-1511
Fax: (732)-222-7088 | E-mail: sales@touchboards.com

LCDarms



LCDarms_US



LCDarms_US



InnovativeOfficeProducts

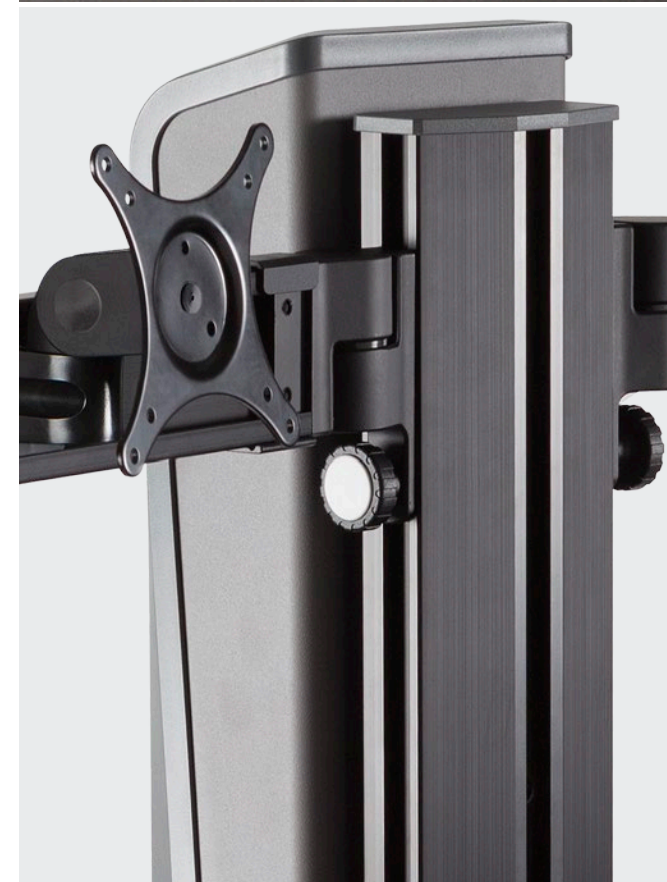


 innovative



Elevating the sit-stand conversation.

Winston-E is a responsive powered riser that takes the sit-stand conversation to a whole new level. The next-generation retrofit work surface with monitor arms is engineered for ease and freedom of movement. Fully loaded, we've thought of every detail for Winston-E so you're free to think about what's important to you.



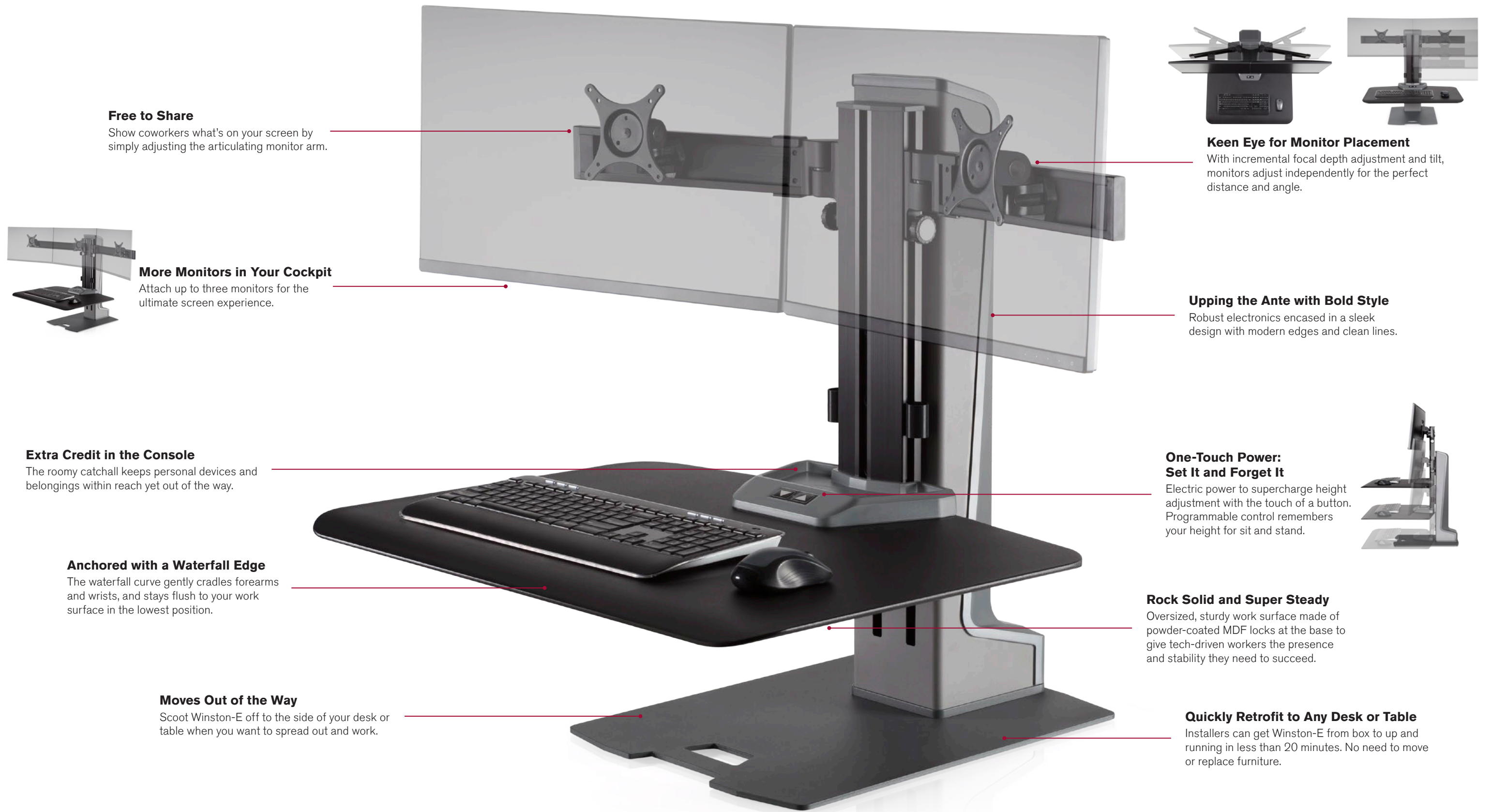
Next-generation engineering and design.

With the touch of a button, power between sitting and standing height with an incredibly stable work surface.

Programmable memory is like autopilot for your work surface and monitors. One-button control for the perfect standing and sitting height.

Incremental focal depth adjustment and tilt to tweak monitors independently for the perfect viewing distance and screen angle.

Fully loaded with industry-leading technology, improved sit-stand dynamics and intelligent design features.



Free to Share

Show coworkers what's on your screen by simply adjusting the articulating monitor arm.

Keen Eye for Monitor Placement

With incremental focal depth adjustment and tilt, monitors adjust independently for the perfect distance and angle.

More Monitors in Your Cockpit

Attach up to three monitors for the ultimate screen experience.

Upping the Ante with Bold Style

Robust electronics encased in a sleek design with modern edges and clean lines.

Extra Credit in the Console

The roomy catchall keeps personal devices and belongings within reach yet out of the way.

One-Touch Power: Set It and Forget It

Electric power to supercharge height adjustment with the touch of a button. Programmable control remembers your height for sit and stand.

Anchored with a Waterfall Edge

The waterfall curve gently cradles forearms and wrists, and stays flush to your work surface in the lowest position.

Rock Solid and Super Steady

Oversized, sturdy work surface made of powder-coated MDF locks at the base to give tech-driven workers the presence and stability they need to succeed.

Moves Out of the Way

Scout Winston-E off to the side of your desk or table when you want to spread out and work.

Quickly Retrofit to Any Desk or Table

Installers can get Winston-E from box to up and running in less than 20 minutes. No need to move or replace furniture.

Winston-E Workstation® Models



SINGLE



DUAL



TRIPLE

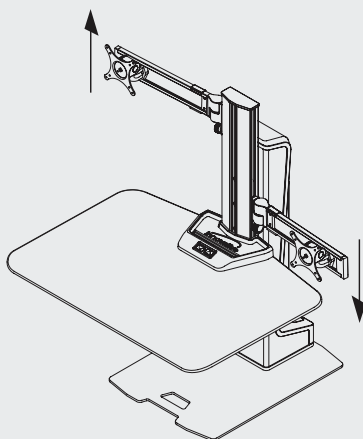
MODEL	
WNSTE-1	Supports up to 40 lbs (18 kg)
COMPATIBILITY	
PC & VESA-Compatible iMac	
FINISHES	
GRAY DUOTONE color code: 270	

MODEL	
WNSTE-2	Supports up to 40 lbs (18 kg) Accommodates most monitors up to 30" widescreen
COMPATIBILITY	
PC & VESA-Compatible iMac	
FINISHES	
GRAY DUOTONE color code: 270	

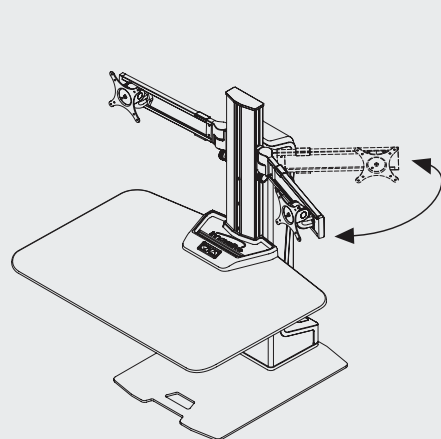
MODEL	
WNSTE-3	Supports up to 40 lbs (18 kg) Accommodates most monitors up to 24" widescreen
COMPATIBILITY	
PC & VESA-Compatible iMac	
FINISHES	
GRAY DUOTONE color code: 270	

ERGONOMIC ADJUSTMENTS

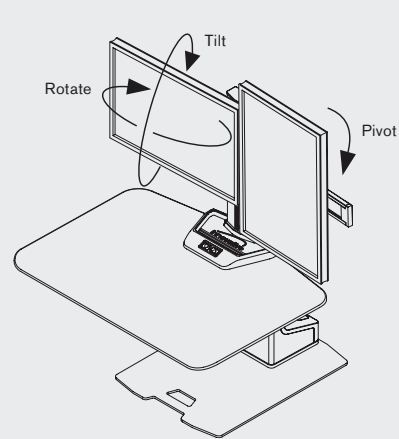
Independent Monitor Height Adjustment



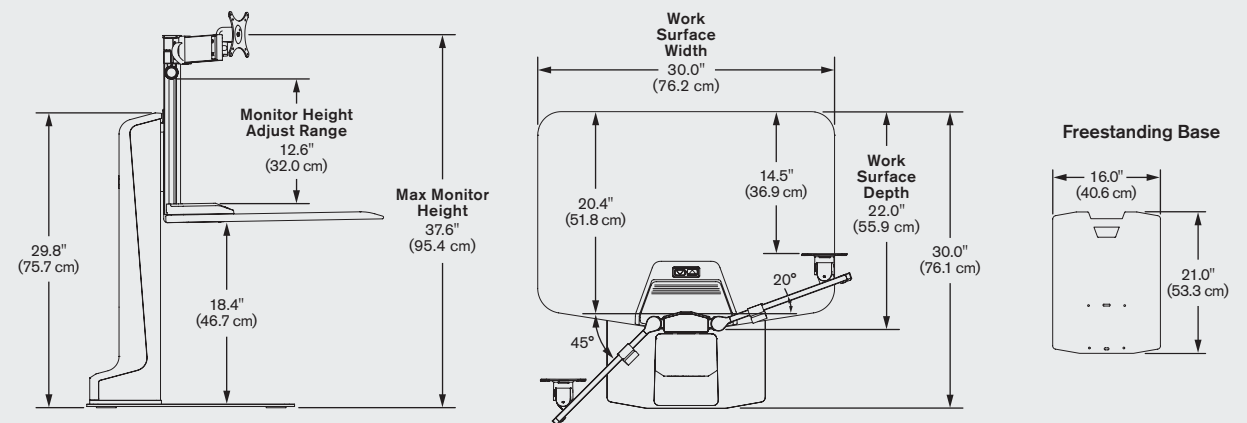
Focal Depth Adjustment



Monitor Tilt, Pivot and Rotation



CAPABILITIES





Winston Workstation® — convert any desk to a height adjustable sit-stand in minutes.

Join the standing revolution — ease body pain and boost health by increasing movement at work. With Winston Workstation®, you can easily alternate between sitting and standing throughout the day, combating the health risks associated with excessive sitting.



3 steps to your perfect Winston.

Winston Workstation® offers customizable options to instantly transform any desk into a healthy sit-stand workspace.

Choose Your Monitor Solution

Winston can support one, two, three or four monitors.

Choose Your Finish

Pick your favorite from white, silver or black.

Choose from Optional Accessories

Combine your Winston with a clamp mount, thru-mount, laptop holder or iMac stand.

Meet Winston— Energizing your body. Inspiring your mind.



Moving at Work for a Healthy Lifestyle

Ease body pain and boost health by increasing your movement at work. Winston gives you the freedom to easily alternate between sitting and standing throughout the day.



Engineered for Stability

The industry's first locking cylinder keeps your workspace in place, eliminating wobble while you work.



Expansive Work Surface

Large surface feels more like a real desk when standing and allows you to take all of your necessary items with you when you stand.



Workstations for Power Users — Amp Up Health and Productivity

Have more than two monitors? Winston Workstation® is the only sit-stand that accommodates three and four monitors, allowing users the health benefits of increased standing and the productivity of multiple monitors.



Accessory Tray

Keep your smartphone or tablet in the convenient work surface accessory tray.



Easy Height Adjustment

Adjust the height of your sit-stand workstation with just the push of a button. Features 17" of height adjust to accommodate a variety of users.

Winston Workstation® Models



SINGLE

MODEL	
WNST-1	Supports 7 - 20 lbs (3.2 - 9.1 kg)

ACCESSORIES			
8472	Clamp Mount	8501	Laptop Holder Kit
8485	Thru-Mount		

FINISHES	
FLAT WHITE	color code: 248
SILVER	color code: 124
VISTA BLACK	color code: 104



DUAL

MODEL	
WNST-2	Supports 10 - 26 lbs (4.5 - 11.8 kg) Accommodates most monitors up to 30" widescreen

ACCESSORIES			
8472	Clamp Mount	8501	Laptop Holder Kit
8485	Thru-Mount		

FINISHES	
FLAT WHITE	color code: 248
SILVER	color code: 124
VISTA BLACK	color code: 104



TRIPLE

MODEL	
WNST-3	Supports 15 - 36 lbs (6.8 - 16.3 kg) Accommodates most monitors up to 24" widescreen

ACCESSORIES			
8472	Clamp Mount	8501	Laptop Holder Kit
8485	Thru-Mount		

FINISHES	
FLAT WHITE	color code: 248
SILVER	color code: 124
VISTA BLACK	color code: 104



QUAD

MODEL	
WNST-4*	Supports 24 - 40 lbs (10.9 - 18.1 kg) Accommodates most monitors up to 24" widescreen

ACCESSORIES			
8472	Clamp Mount	8501	Laptop Holder Kit
8485	Thru-Mount		

FINISHES	
FLAT WHITE	color code: 248
SILVER	color code: 124
VISTA BLACK	color code: 104

* Special order only.

WINSTON WORKSTATION® ACCESSORIES



Clamp Mount
8472



Thru-Mount
8485



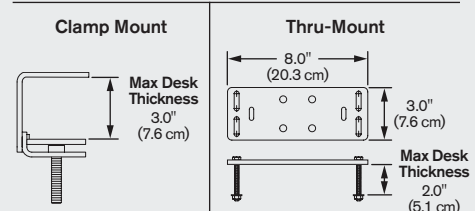
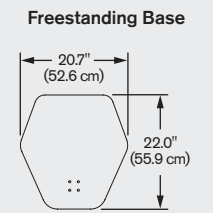
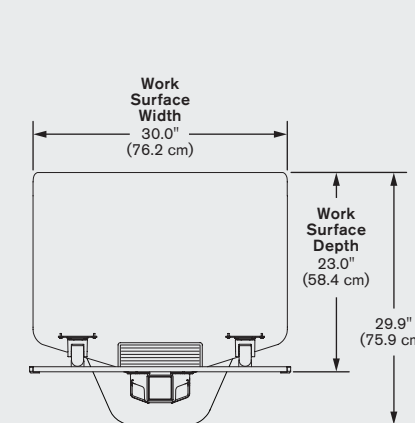
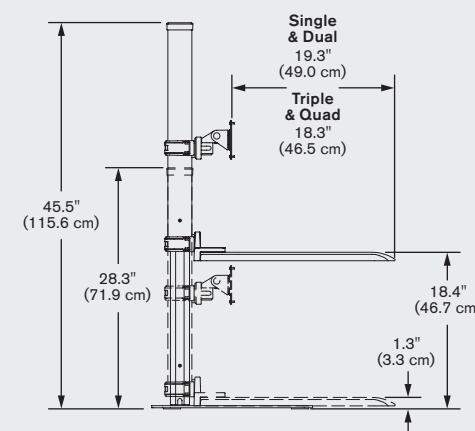
Laptop Holder
8501



iMac Stand
8502

See page 12 for more info.

CAPABILITIES



Winston for Apple iMac — a sit-stand workstation designed for iMac users.

Graphic design studios, architecture firms and other design companies using iMacs can easily incorporate Winston Workstation® for Apple iMac into their offices, converting any desk into a healthy sit-stand workstation. Work healthier without sacrificing Apple-specific programs or interface.

Apple Aesthetic

Clean, white finish to complement the iMac.

Just for the iMac

Optional stand accessory securely incorporates the iMac.

Spacious Work Surface

Work surface large enough to hold all necessary work tools.

Sit or Stand

Include standing in your day, feeling healthy and energized.



iMac Stands

No VESA? No problem. You can use your iMac Stand with the Winston iMac Stand accessory. **To purchase, order a Winston base unit and the iMac Stand accessory.**

BASE MODEL	
WNST-APL-1	Supports 10 - 26 lbs (4.5 - 11.8 kg)
ACCESSORIES	
8502	Apple iMac Stand
8472	Clamp Mount
8485	Thru-Mount
FINISHES	
FLAT WHITE color code: 248	

VESA-Compatible iMacs

Winston also comes with industry standard VESA compatibility – you'll only need the Apple VESA adapter kit. Available in single and dual monitor configurations.

MODELS	
WNST-APL-1	Supports 10 - 26 lbs (4.5 - 11.8 kg)
WNST-APL-2	Supports 15 - 36 lbs (6.8 - 16.3 kg)
ACCESSORIES	
8472	Clamp Mount
8485	Thru-Mount
FINISHES	
FLAT WHITE color code: 248	

Why choose the Winston Workstation®?

	Winston-E	Winston	Ergotron Workfit-A	Ergotron Workfit-S	Varidesk Pro Plus	Humanscale QuickStand
Effortless Height Adjustment	✓	✗	✗	✗	✗	✗
Focal Depth Adjustment	✓	✗	✗	✗	✗	✗
Supports 1-3 Monitors	✓	✓	✗	✗	✗	✗
Freestanding – No Mounting Required	✓	✓	✗	✗	✗	✗
Monitor Mounting Included	✓	✓	✓	✓	✗	✓
Monitor Height Adjustment	✓	✓	✓	✓	✗	✓
Extremely Flexible Individual Monitor Tilt (200°) / Pivot (180°) / Rotation (360°)	✓	✓	✗	✗	✗	✗
Generous Work Surface	✓	✓	✗	✗	✗	✗
Locking Work Surface for Stability	✓	✓	✗	✗	✓	✗
Cable Management Included	✓	✓	✗	✗	✗	✓
Made in the USA	✓	✓	✗	✗	✗	✗



"I've really enjoyed the way this has impacted the way I work. Well done!"
President, Gentex

"We just installed our first Workstation and we are ready to order more for our folks. This is a great product, sturdy construction, easy to put together and very user friendly."
April E., customer of Touchboards.com

"I've really enjoyed having the flexibility to stand or sit in the office. It is a nice option to have that was not previously [available]. I think this will be the workstation format of choice going forward."
President, Furmano Foods