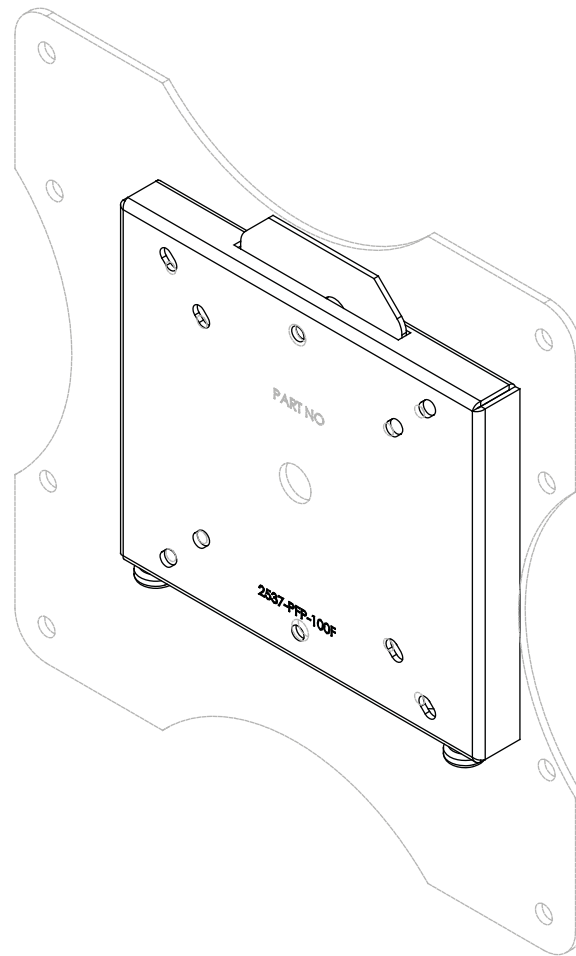


## INSTALLATION INSTRUCTIONS



### Universal Ultra-Flat Mount

Model: PRF

---

#### **NORTH AMERICA**

3130 East Miraloma Avenue  
Anaheim, CA 92806 USA

USA and Canada

Phone: 1.800.368.9700

Fax: 1.800.832.4888

Other Locations

Phone: (001).714.632.7100

Fax: (001).714.632.1044

---

#### **EUROPE**

Swallow House,  
Shilton Industrial Estate,  
Shilton, Coventry, England CV79JY

Phone: +44 (0) 2476 614700

Fax: +44 (0) 2476 614710



# Contents

- Installation Tools ..... 3
- Parts List..... 3
- Mounting Hardware. .... 4
- Features. .... 5
- Installing the PRF Mount. .... 6
  - Single Stud Installation. .... 6
  - Solid Surface. .... 7
- Determining the Mounting Hardware..... 9
- Universal Spacer Installation (optional)..... 9
- VESA 75/100 Installation..... 10
- Attaching the UFP-280 Adapter Plate..... 11
- Attaching the PRF to the Adapter Plate..... 12
- Technical Specifications. .... 12
- Warranty. .... 13

# Weight Capacity

Maximum flat panel weight: **50lbs.**

THE WALL STRUCTURE MUST BE CAPABLE OF HOLDING FIVE (5) TIMES THE WEIGHT OF THE FLAT PANEL. IF NOT, THEN THE WALL STRUCTURE MUST BE REINFORCED.

# Warning Statements



PRIOR TO THE INSTALLATION OF THIS PRODUCT, THE INSTALLATION INSTRUCTIONS MUST BE READ AND COMPLETELY UNDERSTOOD TO PREVENT PERSONAL INJURY AND PROPERTY DAMAGE. KEEP THESE INSTALLATION INSTRUCTIONS IN AN EASILY ACCESSIBLE LOCATION FOR FUTURE REFERENCE.



PREMIER MOUNTS DOES NOT WARRANT AGAINST DAMAGE CAUSED BY THE USE OF ANY PREMIER MOUNTS PRODUCT FOR PURPOSES OTHER THAN THOSE FOR WHICH IT WAS DESIGNED OR DAMAGE CAUSED BY UNAUTHORIZED ATTACHMENTS OR MODIFICATIONS, AND IS NOT RESPONSIBLE FOR ANY DAMAGES, CLAIMS, DEMANDS, SUITS, ACTIONS OR CAUSES OF ACTION OF WHATEVER KIND RESULTING FROM, ARISING OUT OF OR IN ANY MANNER RELATING TO ANY SUCH USE, ATTACHMENTS OR MODIFICATIONS.



SAFETY MEASURES MUST BE PRACTICED AT ALL TIMES DURING THE ASSEMBLY OF THIS PRODUCT. USE PROPER SAFETY GEAR AND TOOLS FOR THE ASSEMBLY PROCEDURE TO PREVENT PERSONAL INJURY.



At least two qualified people should perform the assembly procedure. Personal injury and/or property damage can result from dropping or mishandling the flat panel.



If mounting to wall studs, make sure that the mounting screws are anchored into the center of the wall studs. Use of an edge-to-edge stud finder is recommended.



Be aware of the mounting environment. If drilling and/or cutting into the mounting surface, always make sure that there are no electrical wires in the wall. Cutting or drilling into an electrical line may cause serious personal injury.



Make sure there are no water or natural gas lines inside the wall where the mount is to be located. Cutting or drilling into a water or gas line may cause severe property damage or personal injury.



This product is intended for indoor use only. Use of this product outdoors could lead to product failure and/or serious personal injury.



Do not install near sources of high heat. Do not install on a structure that is prone to vibration, movement or chance of impact.



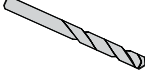

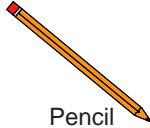
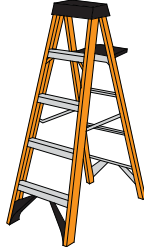



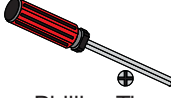
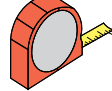


Contact Premier Mounts with any questions:  
(800) 368-9700  
techsupport@mounts.com



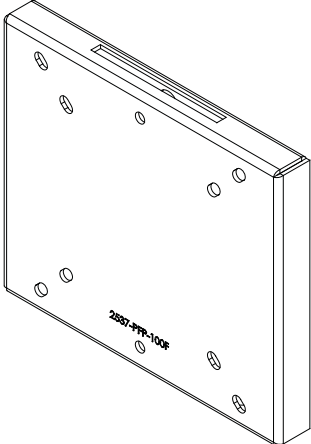
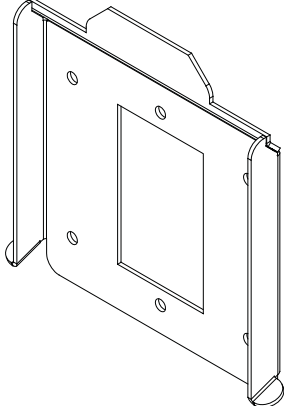
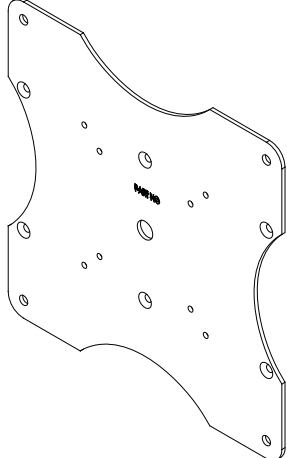
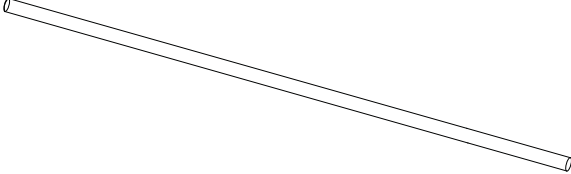
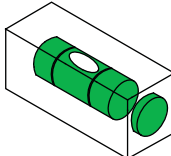
## Installation Tools

The following tools may be required, dependent upon your particular installation. These tools are not provided by Premier Mounts, but you can purchase them at your local hardware store.

	 Hand Held Drill	 1/8" Wood Drill Bit	 1/16" Drill Bit	 Pencil	 Ladder
 Electronic Stud Finder	 Hammer	 Protective Eye Wear	 Phillips Tip Screwdriver	 Tape Measure	




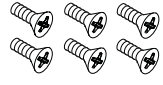
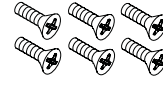
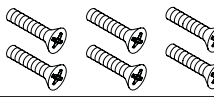
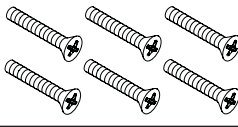
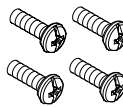
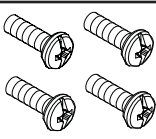
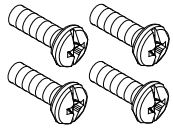
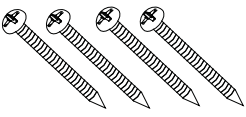
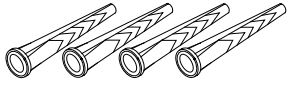
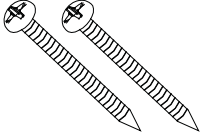
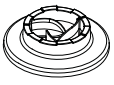
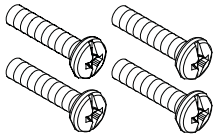
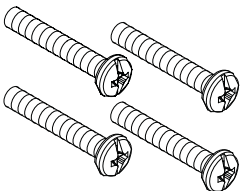
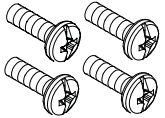
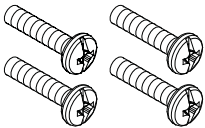
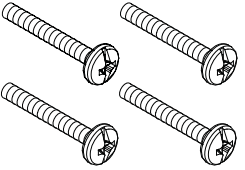
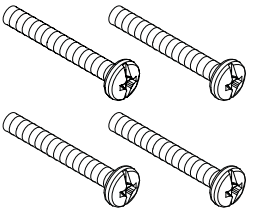
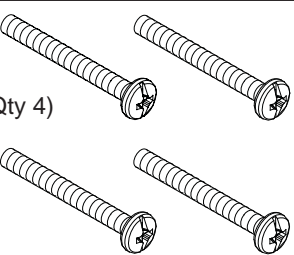
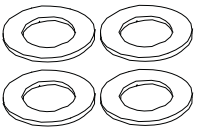
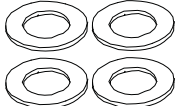
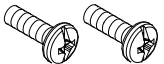
## Parts List

Your Premier Mounts product is shipped with all proper installation hardware and components. Make sure that none of these parts are missing and/or damaged before beginning installation. If there are parts missing and/or damaged, please stop the installation and contact Premier Mounts (800) 368-9700.

PRF Mount Hardware	
 Front Cover Plate (Qty 1)	 Wall Plate (Qty 1)
 UFP-280 Adapter Plate (Qty 1)	 Thread Depth Indicator (Qty 1)
	 Level (Qty 1)

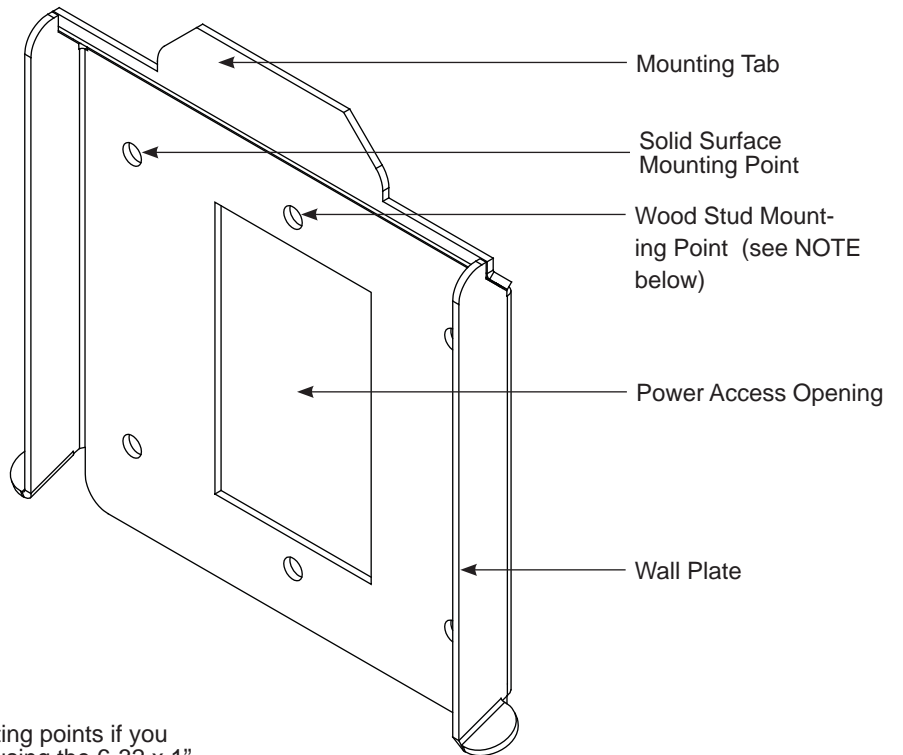
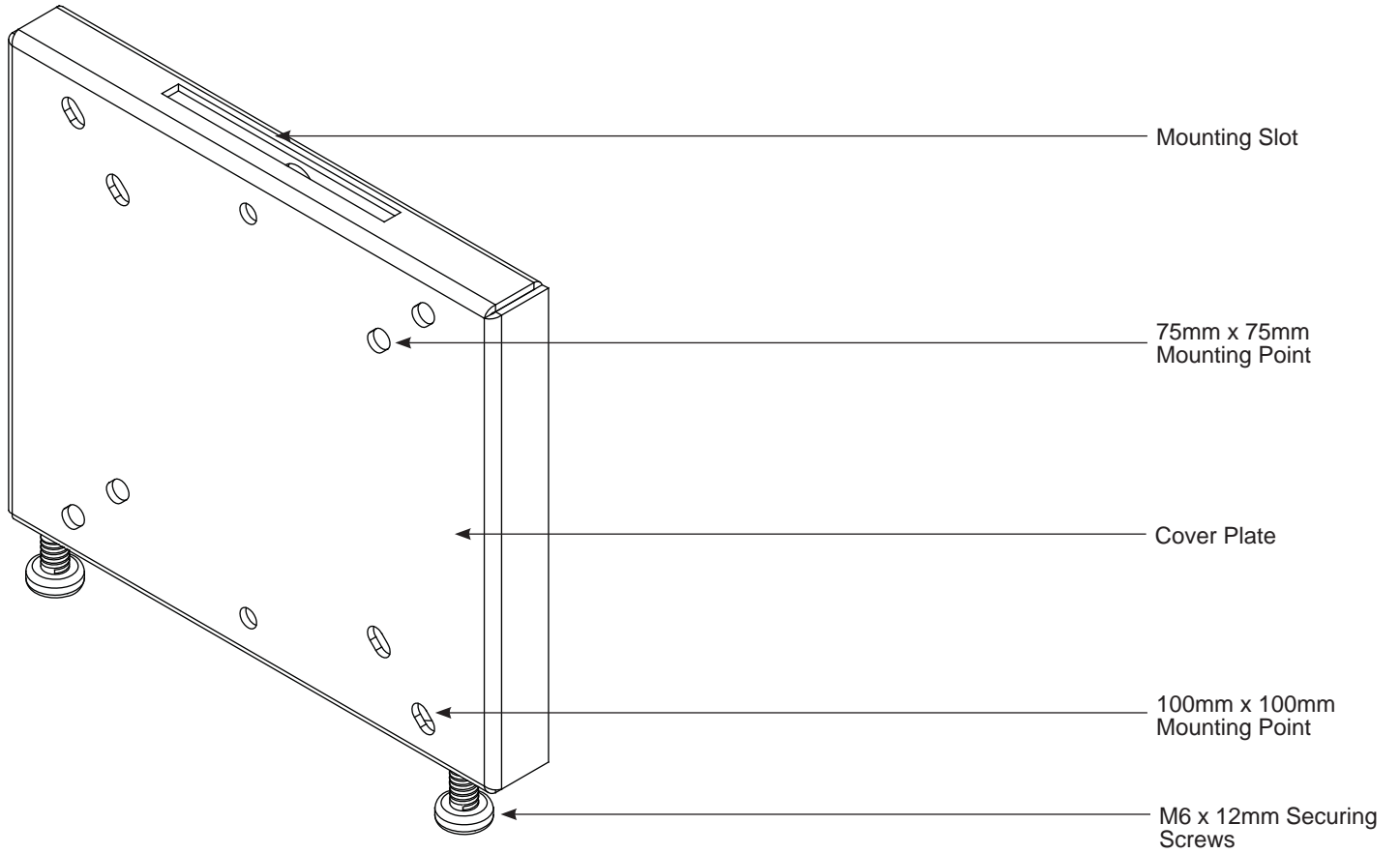


# Parts List (cont'd)

Mounting Hardware	
Standard Hardware	
M4 x 5mm Combo Screw - Bagged Separately (Qty 4)	
M4 x 10mm Combo Screw (Qty 4)	
M4 x 10mm Flat Head Combo Screw (Qty 6)	
M4 x 16mm Flat Head Combo Screw (Qty 6)	
M4 x 20mm Flat Head Combo Screw (Qty 6)	
M4 x 30mm Flat Head Combo Screw (Qty 6)	
M4 x 45mm Flat Head Combo Screw (Qty 6)	
M5 x 10mm Combo Screw (Qty 4)	
M5 x 16mm Combo Screw (Qty 4)	
M5 x 20mm Combo Screw (Qty 4)	
#10 x 1-1/4" Wood Screws (Qty 4)	
#10 Wall Anchors (Qty 4)	
#10 x 2" Wood Screws (Qty 2)	
Universal Spacers (Qty 30)	
M5 x 30mm Combo Screw (Qty 4)	
M5 x 45mm Combo Screw (Qty 4)	
M6 x 10mm Combo Screw (Qty 4)	
M6 x 16mm Combo Screw (Qty 4)	
M6 x 20mm Combo Screw (Qty 4)	
M6 x 30mm Combo Screw (Qty 4)	
M6 x 45mm Combo Screw (Qty 4)	
M5 Flat Washer (Qty 4)	
M4 Flat Washer (Qty 4)	
6-32 x 1" Combo Screw (Qty 2) (Handibox Installation)	



# Features



These mounting points also act as mounting points if you decide to mount the PRF to a handibox, using the 6-32 x 1" screws. It is recommended that all electrical wiring be done by a licensed electrician.




# Installing the PRF Mount

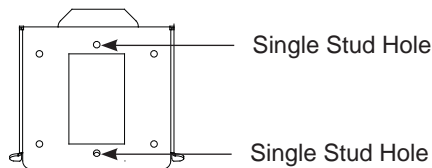
## Introduction

Thank you for purchasing Premier Mount's Universal Ultra-Flat Mount. Please ensure that you have all the hardware listed on the front of the page. If any of the hardware described is missing, do not continue. Contact PREMIER MOUNTS Customer Service at (800) 368-9700. Separate the mounting plates and choose the location for the flat panel

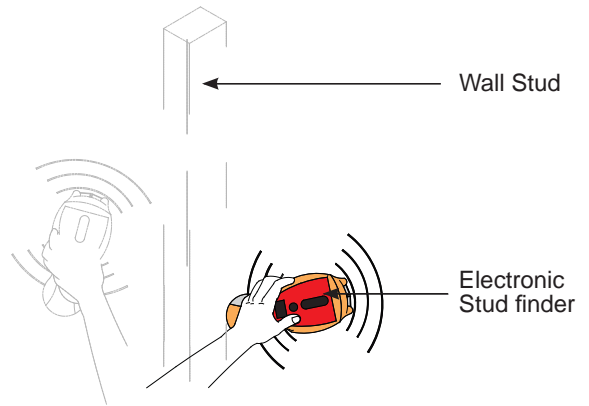
## Single Stud Installation

### Step 1


 For single wood stud installations, use the two (2) middle mounting points found on the wall plate.



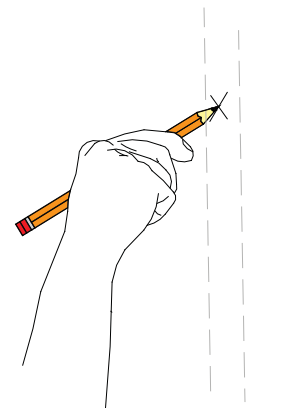
Determine the desired viewing location. Use a stud finder to locate one (1) wall stud closest to the viewing location.



### Step 2


 When determining viewing height, the center of the flat panel should be at eye level while sitting in an upright position. When using the flat panel as room decoration, raise it to the point where the bottom of the screen is at eye level while sitting and the top is eye level when standing.

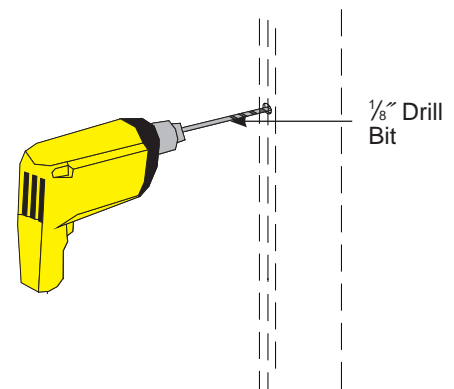
Once the stud has been located, use a pencil to mark the center of the stud.



### Step 3

Drill a pilot hole at the marked location using a power drill and a 1/8" drill bit.

 Only use 1/8" drill bit when drilling the pilot holes.





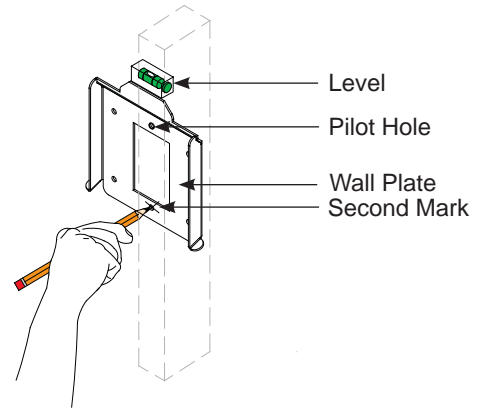
## Installing the PRF Mount (cont'd)

### Step 4

Place the wall plate against the wall, placing the upper mounting hole over the hole that was drilled.

Level the wall plate and mark the lower mounting point.

Once the wall plate is level and the second mounting location has been marked, drill the second pilot hole using a 1/8" drill bit and power drill.



### Step 5

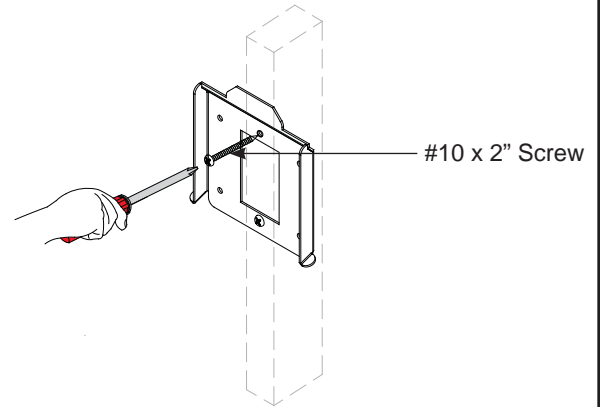


All electrical wiring should be done prior to mount installation. You may use the optional two (2) 6-32x1" Phillips head screws to secure a standard electrical handibox to the mount.

Secure the wall plate to the center of the wood stud by using two (2) #10 x 2" wood screws.



Do not over-tighten the mounting screws.

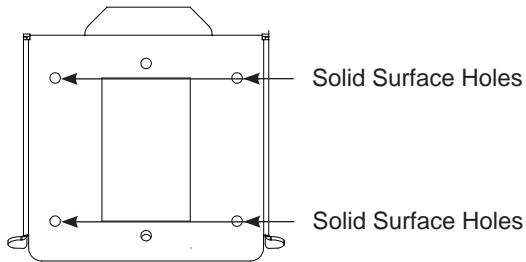


## Solid Surface

### Step 1



Solid surface mounting requires the use of four (4) outer mounting points on the wall plate.



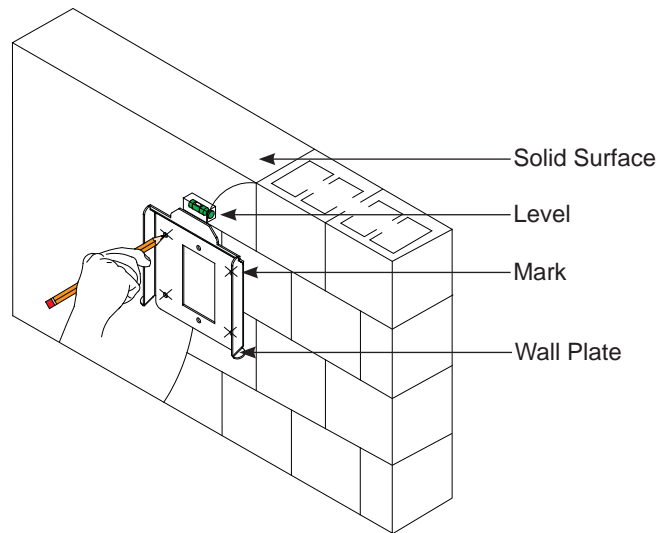
Determine the desired viewing location.



When determining viewing height, the center of the flat panel should be at eye level while sitting in an upright position. When using the flat panel as room decoration, raise it to the point where the bottom of the screen is at eye level while sitting and the top is eye level when standing.

Place the mount into position against the wall and level the mount.

Mark four outer holes used to secure the mount.

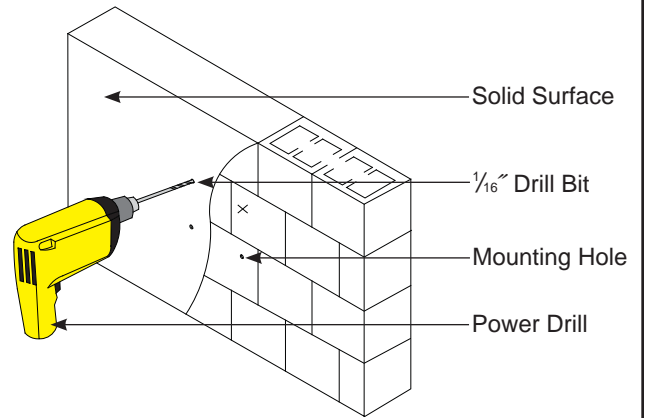





## Installing the PRF-280 Mount (cont'd)

### Step 2

Drill four (4) holes using a  $\frac{1}{16}$ " drill bit and power drill.

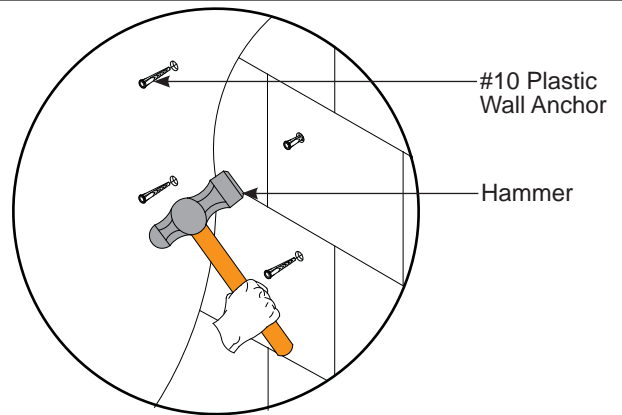


### Step 3

 All electrical wiring should be done prior to mount installation. You may use the optional two (2) 6-32x1" Phillips head screws to secure a standard electrical handibox to the mount.

Insert four (4) #10 plastic wall anchors into the holes that were drilled.

Use a hammer to gently tap the plastic wall anchors into place.




### Step 4

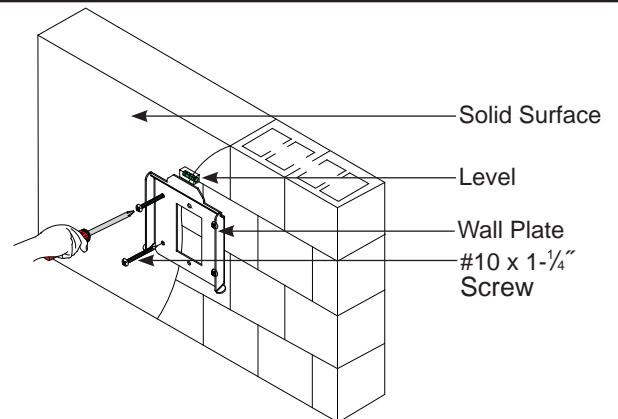
Re-level the wall plate before securing to the wall.

Place the wall plate over the plastic wall anchors, aligning the mounting holes.

Secure the wall plate using four (4) #10 x 1- $\frac{1}{4}$ " mounting screws.

Use a screwdriver to tighten the #10 x 1- $\frac{1}{4}$ " screws.

 Do not over-tighten the mounting screws.







## Determining the Mounting Hardware

- 1 Insert a small straw or toothpick into the threaded inserts found on the back of the flat panel.
- 2 Use a pencil to mark the depth of the threaded insert on the small straw or toothpick.
- 3 Mark the straw or toothpick 1/8" above the depth of the threaded insert, as shown in Figure 1.
- 4 Insert the small straw or toothpick into the remaining threaded inserts to compare and verify their depth using the straw or toothpick's 1/8" allowance mark.
- 5 Locate the correct diameter screw for the threaded insert.



If the screw you selected is longer than the 1/8" allowance mark on the small straw or toothpick, as shown in Figure 2 and Figure 3, do not use this screw. The screw length must not bypass the mark.

- 6 Test each size of the screws provided.

The correct screws should thread easily into the mounting point and not pull out when tension is applied.

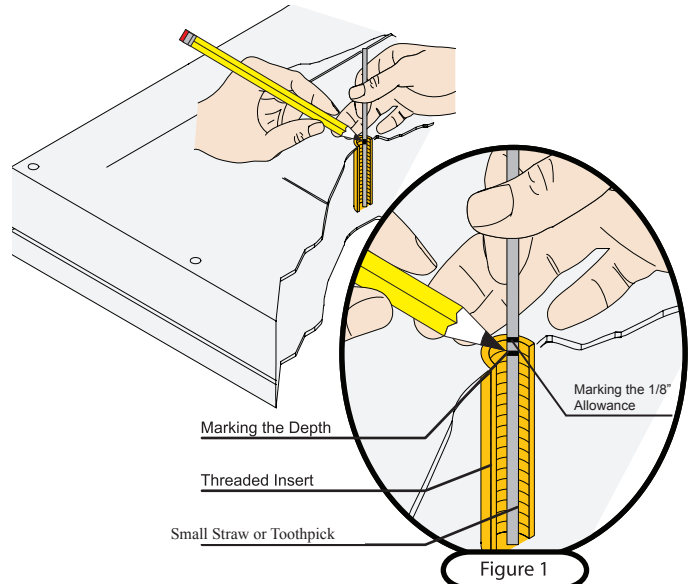


Figure 1

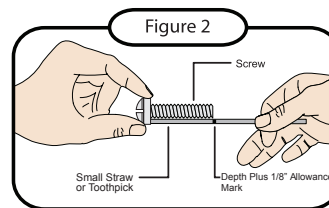


Figure 2

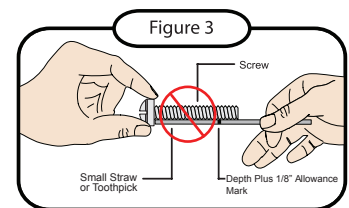


Figure 3

## Universal Spacer Installation (optional)

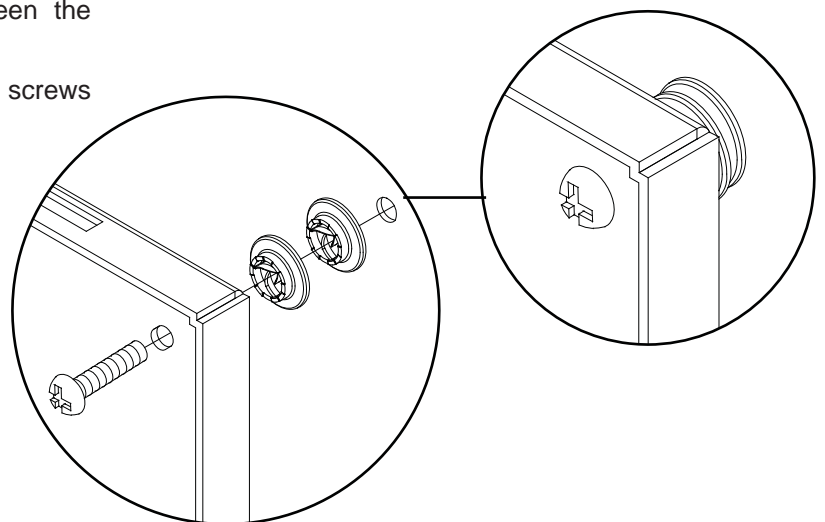
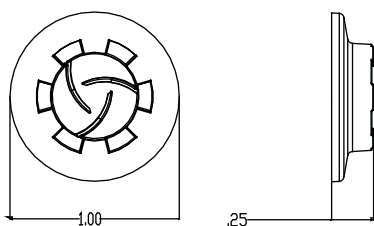


The universal spacer may be stacked six (6) high, for a total stacking height of 1-1/2".

The universal spacers must be stacked in the direction shown above.

The universal spacers must be placed between the mounting bracket and the flat panel.

The universal spacer will fit M4, M5, M6 and M8 screws sizes.





## VESA 75/100 Installation

### Step 1



If your flat panel has a 200mm x 100mm or 200mm x 200mm mounting pattern, the VESA Adapter Plate must be used. Please refer to the VESA Adapter Plate Pattern to determine the appropriate mount placement.



The slotted opening must be facing up and the flat surface touching the flat panel surface.



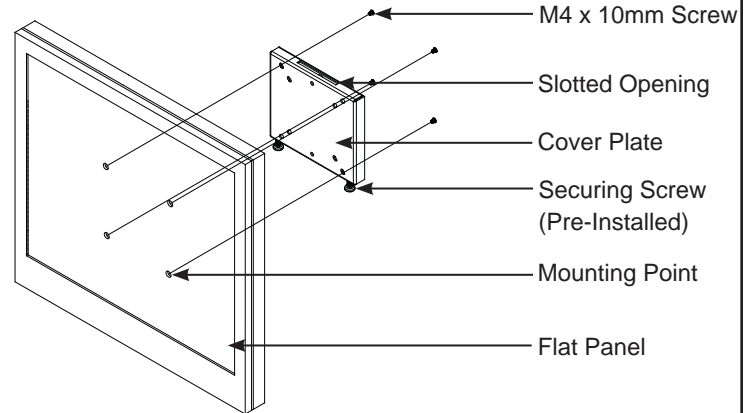
If you have a recessed VESA 75mm/100mm pattern or need more spacing between the wall and the flat panel, use the appropriate number of universal spacers and corresponding length mounting hardware. If your mounting pattern is not 75/100, proceed to page 11.

Locate the mounting points on the back of the flat panel.

Secure the cover plate to the flat panel using four (4) M4 x 10mm screws.



Do not over-tighten the mounting screws.



## Attaching the Front Cover to the Wall Plate

### Step 1

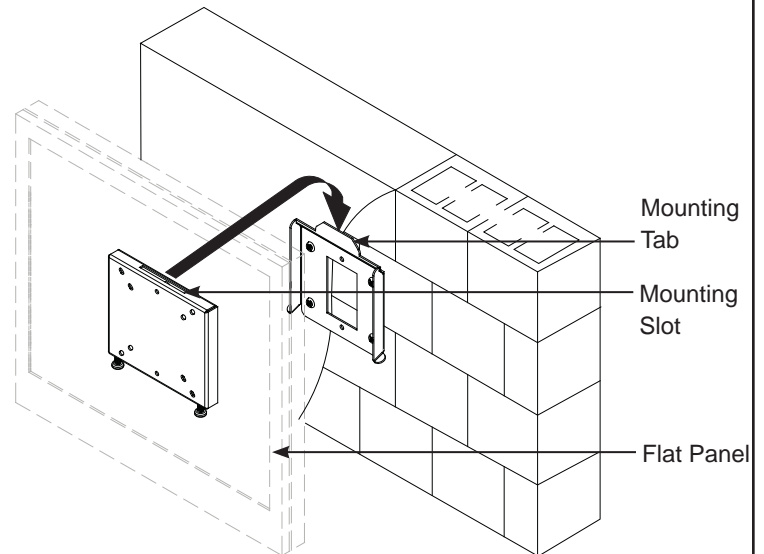
Lift the flat panel with the cover plate attached.

Place the mounting slot opening over the mounting tab (on the wall plate).

Slide the flat panel down slowly, ensuring that the mounting slot is engaged by the mounting tab.



Do not release the flat panel until verifying the connection between the mounting slot and the mounting tab.



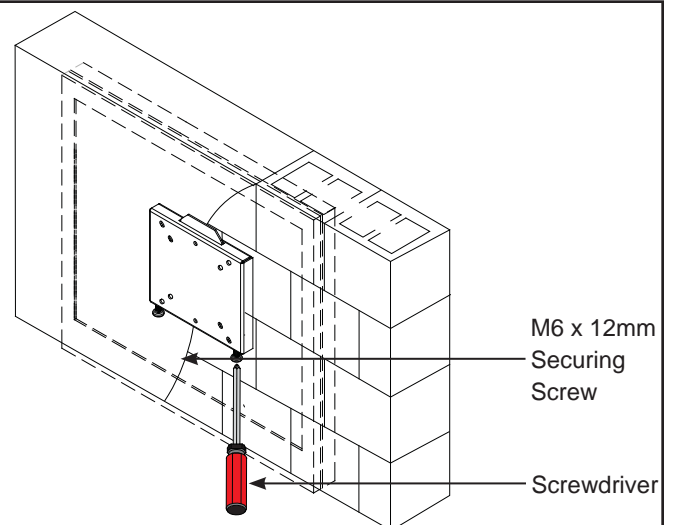
### Step 2

Use a screwdriver to tighten the two (2) M6 x 12mm securing screws.

This will lock the cover plate and wall plate securely together.



Do not over-tighten these screws.





## Attaching the UFP-280 Adapter Plate

### 200mm x 100mm Pattern



If your flat panel has a 200mm x 100mm or 200mm x 200mm mounting pattern, the VESA Adapter Plate must be used. Please refer to the VESA Adapter Plate Pattern to determine the appropriate mount placement.



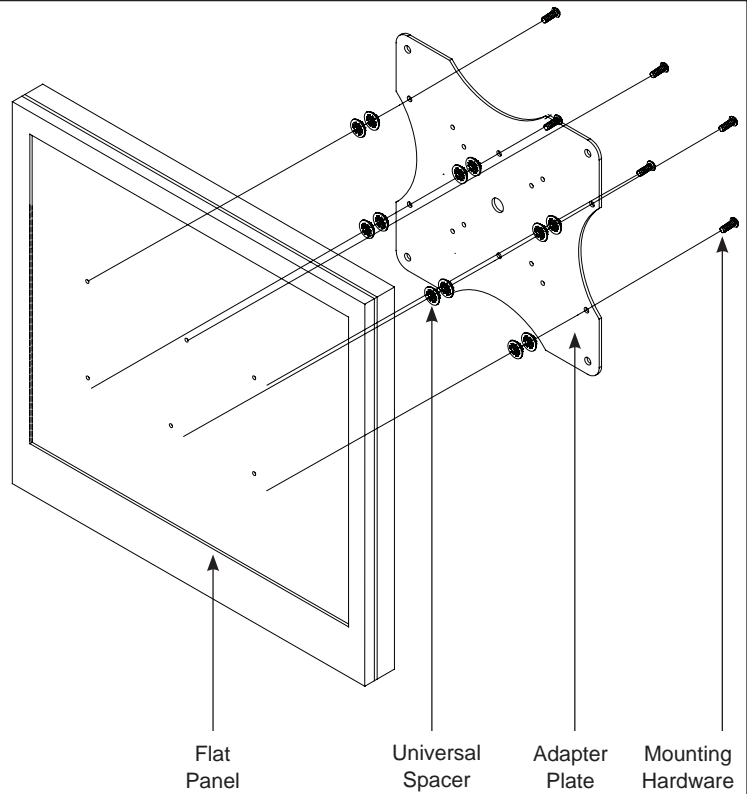
If you have a recessed mounting pattern, use the universal spacers to compensate for the indentation.

Attach the VESA Adapter Plate to the back of the flat panel using the appropriate mounting hardware.



### 200mm x 100mm Mounting Pattern Installation

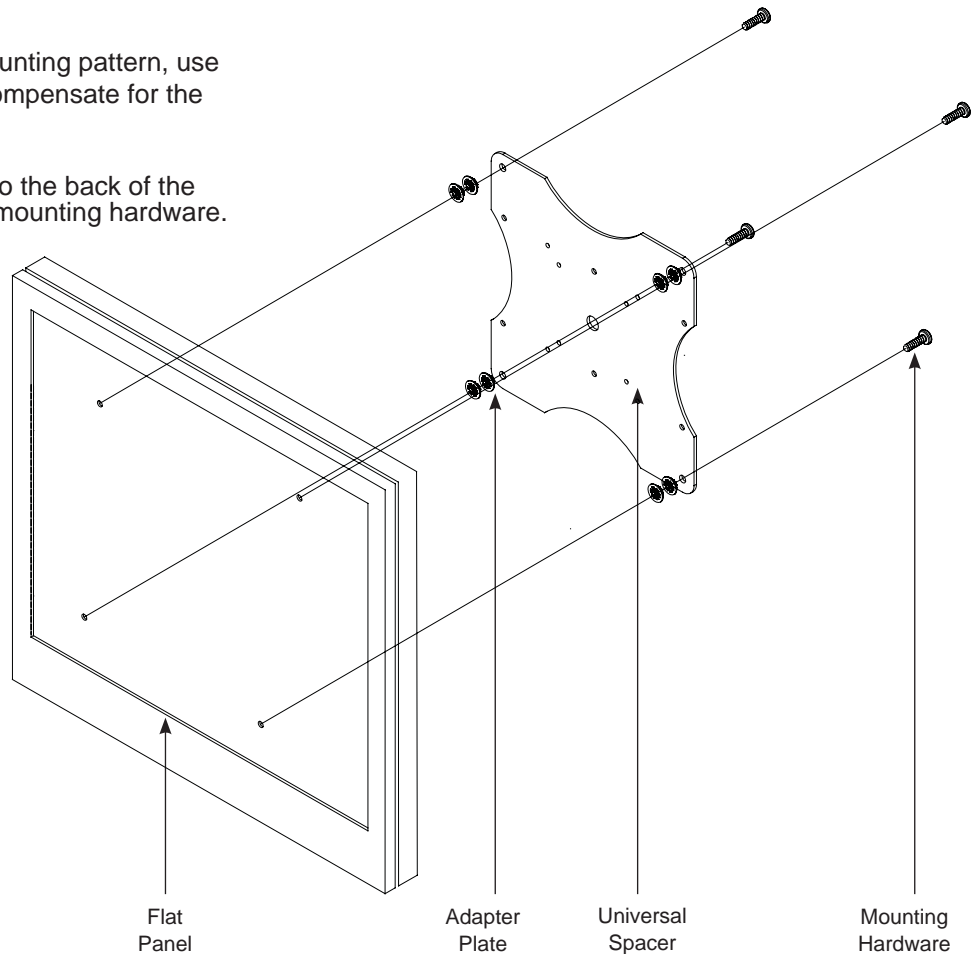
If using a 200mm x 100mm mounting pattern to attach the PRF to your flat panel, please use six (6) **M4 Flat head** screws. Using rounded combo screws for the 200mm x 100mm VESA plate may damage your flat panel.



### 200mm x 200mm Pattern

If you have a recessed mounting pattern, use the universal spacers to compensate for the indentation.

Attach the VESA Adapter Plate to the back of the flat panel using the appropriate mounting hardware.



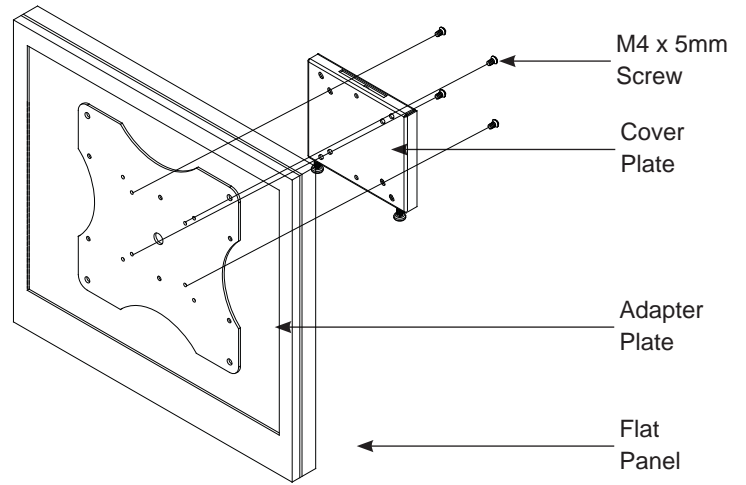


### Attaching the PRF to the Adapter Plate

Locate the mounting points on the adapter plate.

Align the mounting points of the cover plate with those on the back of the flat panel.

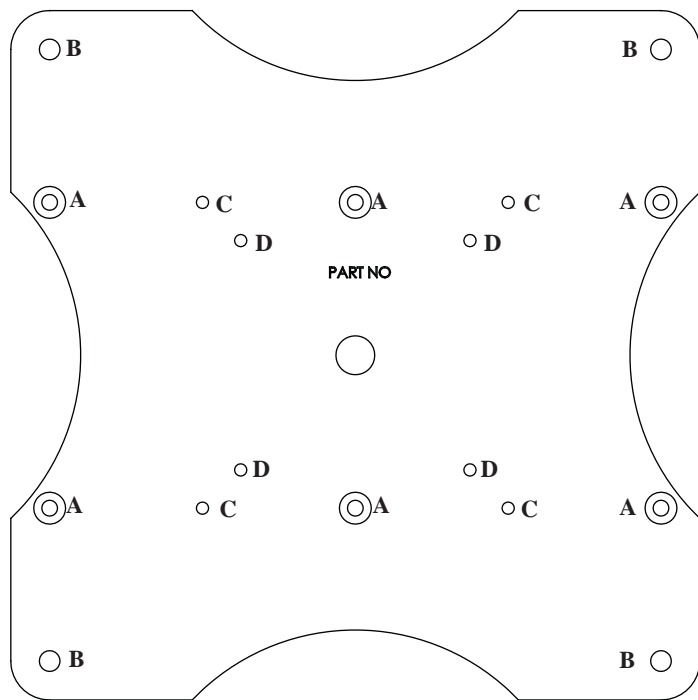
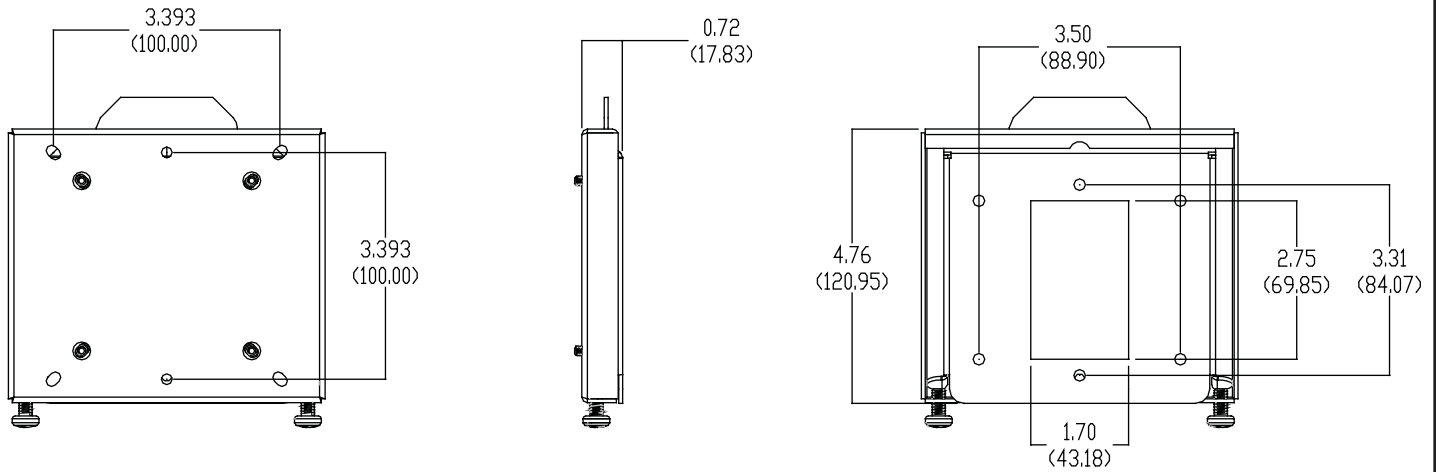
Insert four (4) M4 x 5mm screws and tighten using a screwdriver.



Do not over-tighten these screws.

### Technical Specifications

All measurements are in inches(mm).



Please refer to the hardware pack that is included with the PRF to determine the correct mounting hardware for your application.

- NOTE:**
- A.** 200 x 100 VESA Pattern  
M4 Phillips Flat Head screws only.
  - B.** 200 x 200 VESA Pattern  
If an M4 or M5 is to be used, a M4 or M5 washer must be used.
  - C.** 100 x 100 VESA Pattern
  - D.** 75 x 75 VESA Pattern



## Warranty

### PREMIER MOUNTS LIMITED LIFETIME WARRANTY

#### **What and Who is Covered by this Limited Warranty and for How Long**

Premier Mounts warrants this product to be free from defects in material and workmanship for the lifetime of the original owner of this product. The limited warranty is valid only for the original purchaser of the product.

#### **What Premier Mounts Will Do**

At the sole option of Premier Mounts, Premier Mounts will repair or replace any product or product part that is defective. If Premier Mounts chooses to replace a defective product or part, a replacement product or part will be shipped to you at no charge, but you must pay any labor costs.

#### **What is Not Covered; Limitations**

PREMIER MOUNTS DISCLAIMS ANY LIABILITY FOR DAMAGE TO MOUNTS, ADAPTERS, DISPLAYS, PROJECTORS, OTHER PROPERTY, OR PERSONAL INJURY RESULTING, IN WHOLE OR IN PART, FROM IMPROPER INSTALLATION, MODIFICATION, USE OR MISUSE OF ITS PRODUCTS.

PREMIER MOUNTS DISCLAIMS ALL OTHER WARRANTIES, EXPRESS OR IMPLIED, INCLUDING WARRANTIES OF MERCHANTABILITY AND FITNESS FOR A PARTICULAR PURPOSE. PREMIER MOUNTS IS NOT RESPONSIBLE FOR INCIDENTAL OR CONSEQUENTIAL DAMAGES, INCLUDING BUT NOT LIMITED TO, INABILITY TO USE ITS PRODUCTS OR LABOR COSTS FOR REMOVING AND REPLACING DEFECTIVE PRODUCTS OR PARTS. SOME STATES DO NOT ALLOW THE EXCLUSION OR LIMITATION OF INCIDENTAL OR CONSEQUENTIAL DAMAGES, SO THE ABOVE LIMITATION OR EXCLUSION MAY NOT APPLY TO YOU.

#### **What Customers Must Do for Limited Warranty Service**

If you discover a problem that you think may be covered by the warranty you **MUST REPORT** it in writing to the address below within thirty (30) days. Proof of purchase (an original sales receipt) from the original consumer purchaser must accompany all warranty claims. Warranty claims must also include a description of the problem, the purchaser's name, address, and telephone number. General inquiries can be addressed to Premier Mounts Customer Service at 1-800-368-9700. Warranty claims will not be accepted over the phone or by fax.

Premier Mounts  
Attn: Warranty Claim  
3130 East Miraloma Ave.  
Anaheim, CA 92806

#### **How State Law Applies**

THIS WARRANTY GIVES YOU SPECIFIC LEGAL RIGHTS, AND YOU MAY ALSO HAVE OTHER RIGHTS WHICH VARY FROM STATE TO STATE.