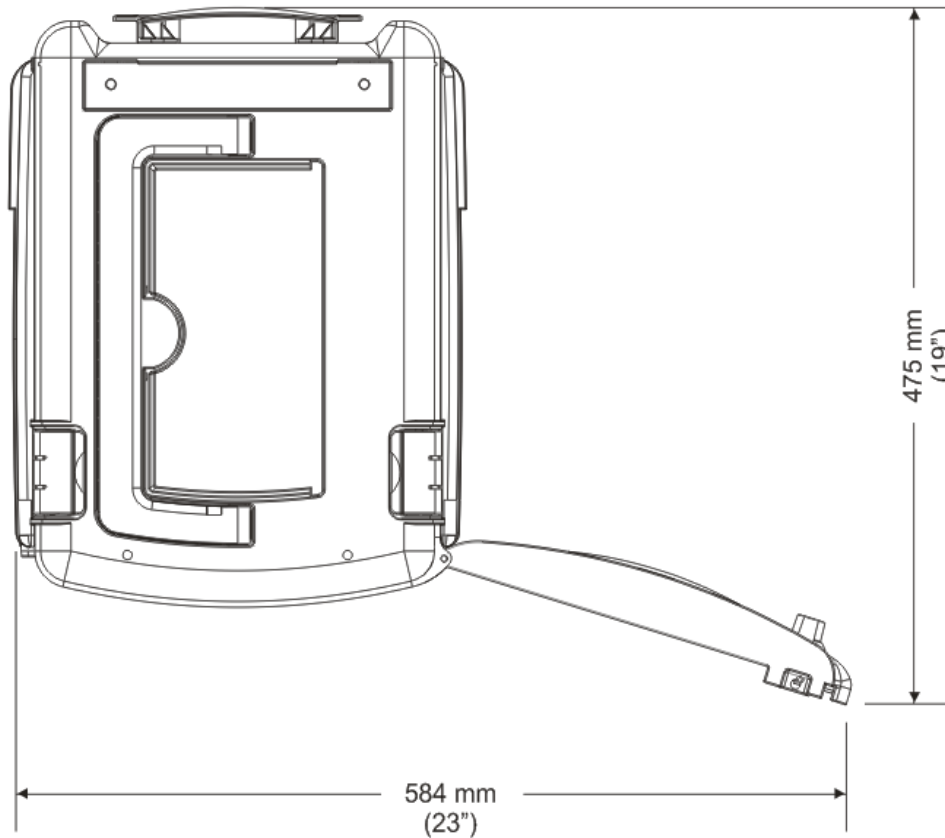
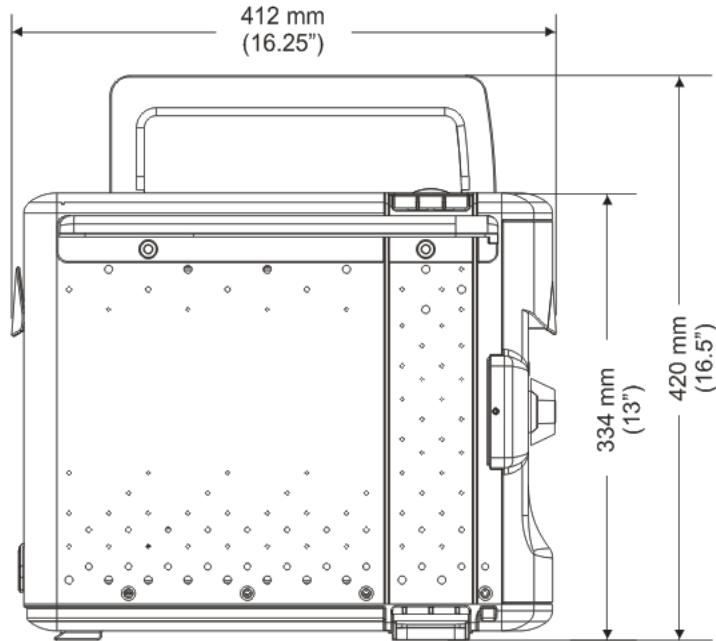
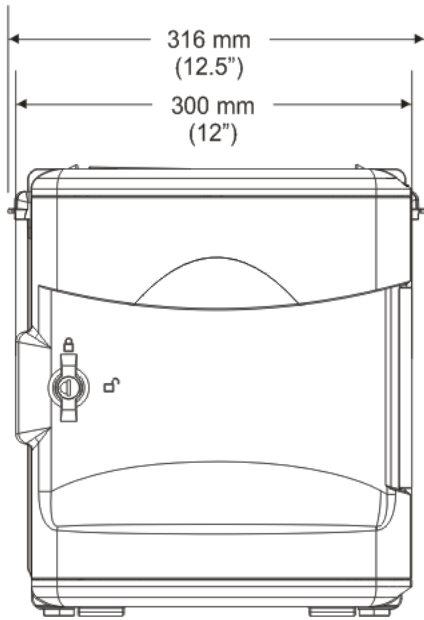


**Tech Tub<sup>2</sup>**

Model: FTT600



**Tech Tub<sup>2</sup>®**

Model: FTT600

**Warranty:**

Lifetime tub and lid warranty

One-year component warranty (excludes devices and electrical cords, etc.)

**Physical Specifications:**

**Door Closed, Handle Down, No Rails (Minimum Dimensions)**

13-1/8" H x 11-7/8" W x 16-1/4" D (33.4cm H x 30.0cm W x 41.2cm D)

**Door Open, Handle Up, With Rails (Maximum Dimensions)**

16-1/2" H x 23" W x 18-3/4" D (42.0cm H x 58.4cm W x 47.5cm D)

**Tech Tub<sup>2</sup>®**

Model: FTT600

**Carton Sizes & Weights:**

	Part No.	Carton Size (outer dimensions)	Carton Weight	Shipping Size (cubic feet)	Shipping Weights (lbs)
Tech Tub <sup>2</sup> ® with 6-outlet power strip	FTT600-A	13-1/2" H x 12-1/2" W x 17-1/8" D 34.3cm H x 31.8cm W x 43.5cm D	11lbs 14oz 5.4 kg	1.67	12



205 Westwood Ave, Long Branch, NJ 07740  
 Phone: 866-94 BOARDS (26273) / (732)-222-1511  
 Fax: (732)-222-7088 | E-mail: sales@touchboards.com

**Copernicus Educational Products**

USA | PMB #459, 60 Industrial Pkwy | Cheektowaga, NY | 14227  
 CANADA: R.R. #3, 8194 County Road 109 | Arthur, ON | N0G 1A0  
 P 1 800 267 8494 | E info@copernicused.com

Copernicus Educational Products is not responsible for printing errors. Copernicus reserves the right to change or modify pricing and products specifications with or without prior notification. Illustrations and descriptions may not be exactly as shown. No part may be reproduced by any means without prior authorization of Copernicus Educational Products Inc. All rights reserved. 2015 ©