



Professional Solutions - Unrivalled Value

Dual multiple joint arm holds screen 3.5" from wall when retracted and 27" when fully extended. Perfect for manually rotating a flat panel screen from portrait to landscape or landscape to portrait orientation without removing the TV. Smooth tilt adjustments of +15° (forward) and -15° (back) with a locking knob and 90° side-to-side roll facilitates a variety of viewing angles and perfect screen positioning. Makes a secure installation quick and easy, simply hang the screen and turn the pre-assembled securing screws to lock in place. Integrated cable management for clean look.

32"-55" / 81cm-140cm

150 LB / 68 KG

Functional Specifications

Depth from wall: 3.5" (89mm)
Swivel: 50° (Max)
Tilt: +15°/-5°
Roll: 90°

Mounting Surfaces: Wood studs, concrete & cinder block (with included hardware).

MaxMountingPattern:
400mm (15.8") width
400mm (15.8") height

Load Capacity: 150 LB / 68 KG

Warranty: Limited 10 Years

■ **Universal Design / Vesa Compatible**

Fits any hole pattern up to 400x400mm (15.8"x15.8").

■ **Extendable**

Extends from 3.5" to 27".

■ **Screen Size**

Fits most 32" to 55" flat panel screens weighing up to 150lb (68kg).

■ **Roll Adjustment**

90° side to side roll feature for portrait or landscape orientation.

■ **Easy Installation**

Pre-assembled securing screws makes installation fast and easy.

■ **Cable Management**

Integrated cable management for clean look.

■ **Included Hardware**

Pre-sorted hardware pack for easy component selection and installation (hardware for installation to wood studs or concrete surfaces included).

Lateral Adjustment
Lateral adjustment functionality for positioning TVs in the right spot on the wall.

Full Range of Motion
3 pivot joints for variable viewing angles.

Tilt
15° forward and 5° back tilt for optimal viewing angles.

VESA Compatible
Compatible with 100x100mm, 200x100mm, 200x200mm, 300x200mm, 300x300mm and 400x400mm.

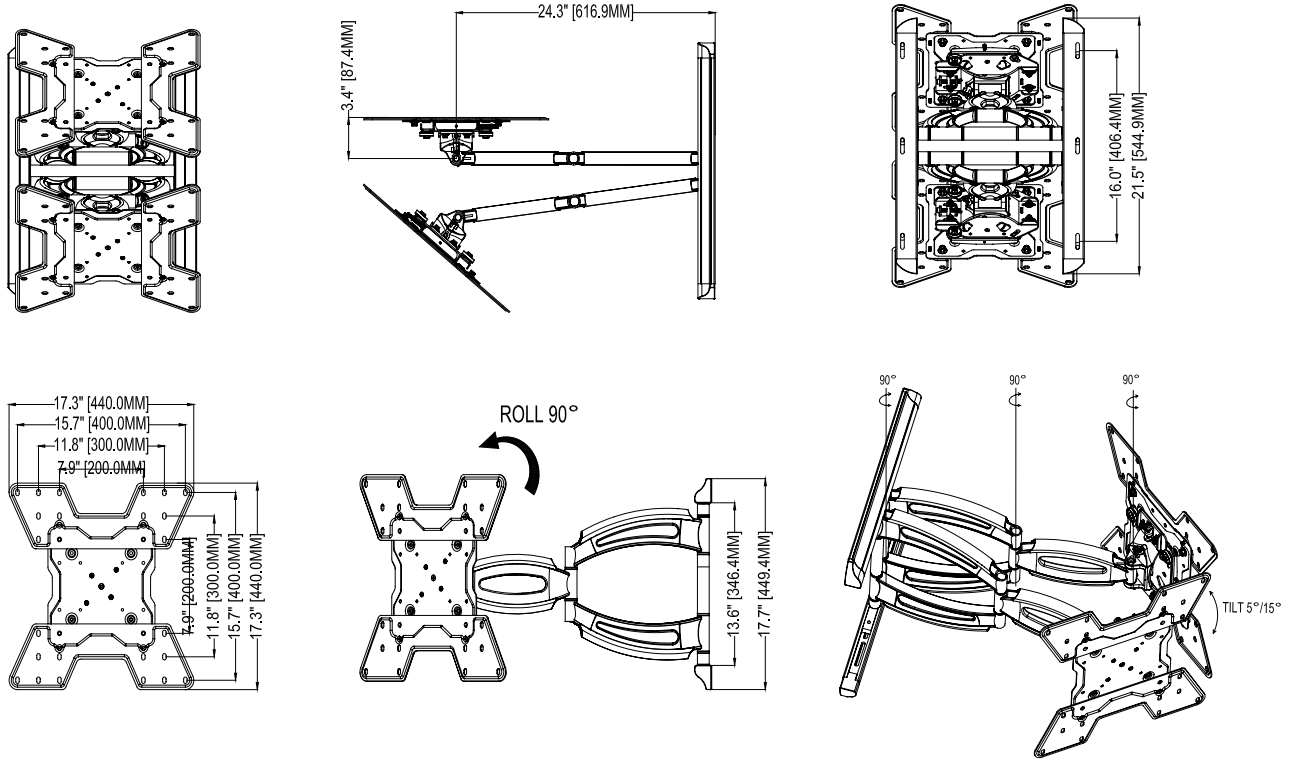
Mounting Hardware
Complete set of screen mounting hardware, labeled for ease of use and ready to go.



Hydra Digital Display Dual Monitor Wall Mount

For 32" to 55" (81-140cm) LCD, LED and Plasma TV's

AH55VLP (BLACK)

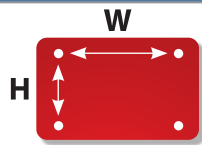


Product Specifications

Package Specifications

PRODUCT WEIGHT	LOAD CAPACITY	COLORS	FINISH	PACKAGE SIZE (WxHxD)	SHIP WEIGHT	UPC CODE	PACKAGE CONTENTS
35.7lb (16.2kg)	150lb (68kg)	Black	Scratch resistant powder coating	26.4" x 19.7" x 4.2" (670x500x107mm)	50.4lb (23kg)	AH55VLP (Black) 0815885015014	Mount, wall and screen mounting hardware, product manual.

Mounting Interface



Max Mounting Pattern

400mm (W) x 400mm (H)

VESA

W	100mm	200mm	200mm	300mm	300mm	400mm	400mm	400mm
X	X	X	X	X	X	X	X	X
H	100mm	100mm	200mm	200mm	300mm	200mm	300mm	400mm

Accessories

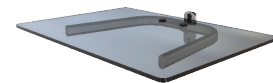
On-wall Cable Management



- WA1 - 1 Shelf
- WA2 - 2 Shelves
- WA3 - 3 Shelves

Component shelf and on-wall cable routing system. Hides cables inside internal channels for a clean look.

Shelving



WF1 - 1 Shelf

Single-stud mountable component shelf.

Visit crimsonav.com to see the full line of vidamounts LCD/plasma, projector and TV/monitor mounts. © 2010 Crimson AV LLC. All rights reserved.