

YBA2X2

# VESA® 200mm Articulating Wall Mount for 22"-37" Flat Panel Displays



Its easy to get the best viewing position when you can effortlessly pull the display out from the wall, position it in almost any direction, turn it around corners and then smoothly return it to the wall when finished. The tilt can effortlessly be adjusted without the use of tools and the roll enables the display to quickly be leveled at any time, even after installation. Never worry about cables getting in the way; cable management delivers an organized look to any installation.



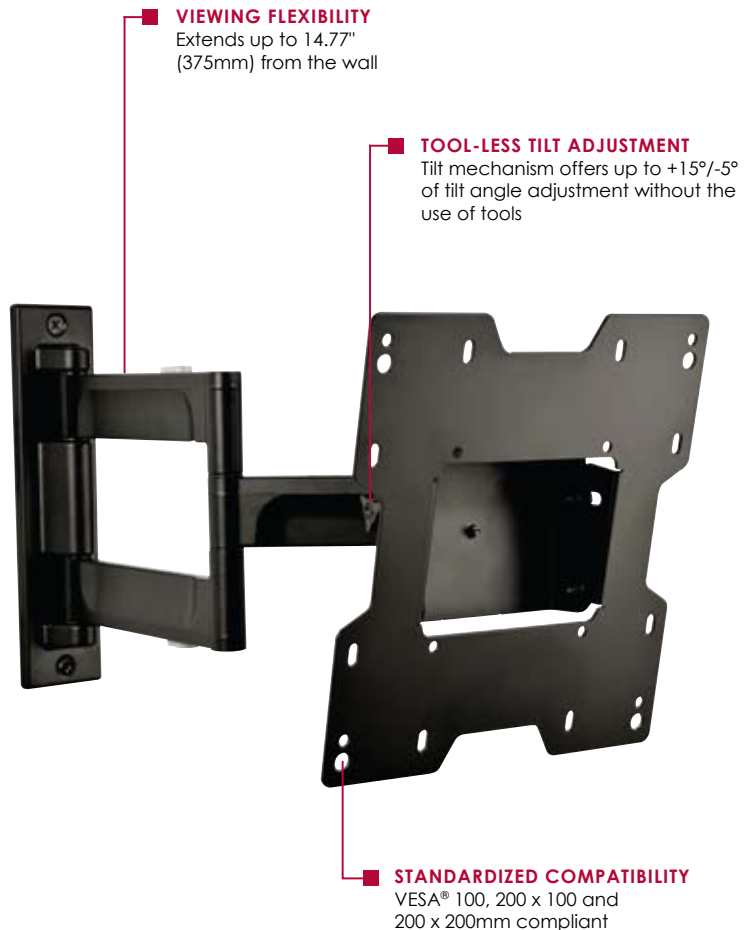
Display size: 22"-37"



Max load: 55lb (25kg)

## FEATURES

- Extends 14.77" (375mm) from the wall
- Retracts to 3.18" (81mm) to save space
- Integrated cable management keeps cables organized and out of the way
- Tilt mechanism offers +15°/-5° of tilt angle adjustment without the use of tools
- ±5 ° of roll for post-installation display leveling
- ±90° of swivel
- VESA® 100, 200 x 100 and 200 x 200mm compliant
- UL listed



RoHS  
2002/95/EC



# Touchboards

205 Westwood Ave, Long Branch, NJ 07740  
Phone: 866-94 BOARDS (26273) / (732)-222-1511  
Fax: (732)-222-7088 | E-mail: sales@touchboards.com

peerless-AV™

**YBA2X2** VESA® 100, 200 x 100 and 200 x 200mm Articulating Wall Mount for 22"-37" Flat Panel Displays

Product Specifications

	DIMENSIONS (W x H x D)	PRODUCT WEIGHT	LOAD CAPACITY	FINISH	AVAILABLE COLORS
<b>YBA2X2</b>	9.40" x 9.82" x 3.18"-14.77" (239 x 249 x 81-375mm)	3.84lb (1.74kg)	55lb (25kg)	Powder Coat	Black

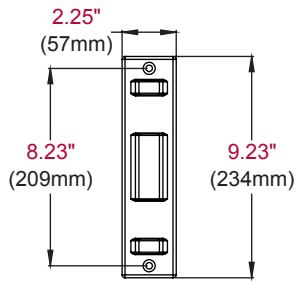
Package Specifications

	PACKAGE SIZE (W x H x D)	PACKAGE SHIP WEIGHT	PACKAGE UPC CODE	PACKAGE CONTENTS	UNITS IN PACKAGE
<b>YBA2X2</b>	10.5" x 3.75" x 11.125" (267 x 95 x 283mm)	6.215lb (2.82kg)	735029284314	Wall Mount, Attachment Hardware and Installation Instructions	1

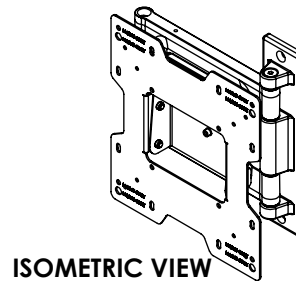
Accessories

**YBADP4X4:** VESA® 300 x 200, 300 x 300, 400 x 300 and 400 x 400mm Adapter Plates

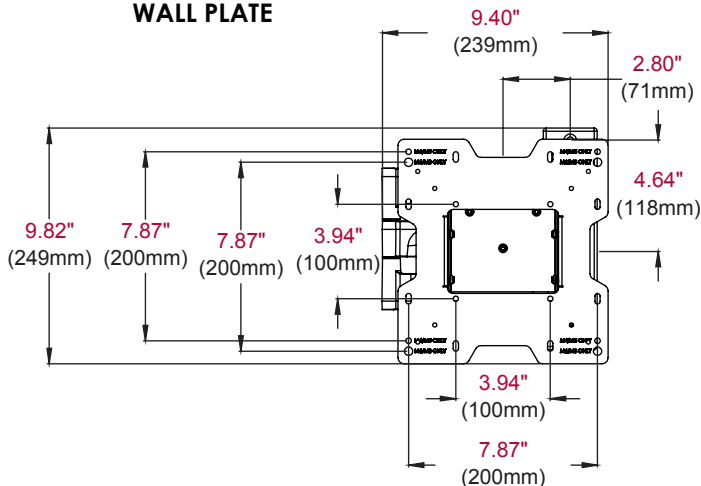
All dimensions = inch (mm)



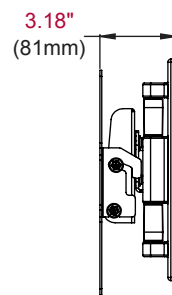
**WALL PLATE**



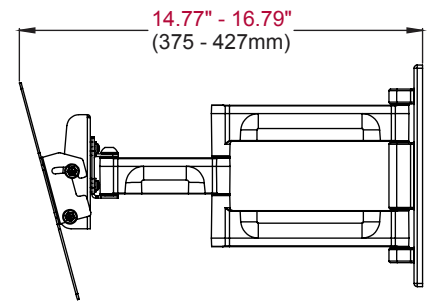
**ISOMETRIC VIEW**



**FRONT VIEW**



**SIDE VIEW**



**SIDE VIEW  
+15°/-5° TILT**

**ARCHITECTS SPECIFICATIONS**

The VESA® 100, 200 x 100 and 200 x 200mm Articulating Wall Mount shall be a Peerless-AV model YBA2X2 and shall be located where indicated on the plans. Assembly and installation shall be done according to instructions provided by the manufacturer.