

# CB-224 SERIES

## Advanced Feature 4-RU Ceiling Boxes

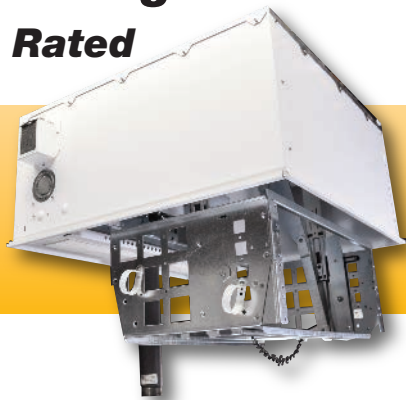
### Plenum Rated



# FSR

Metal Products Group

CB-224 SERIES



## Touchboards

205 Westwood Ave, Long Branch, NJ 07740  
Phone: 866-94 BOARDS (26273) / (732)-222-1511  
Fax: (732)-222-7088 | E-mail: sales@touchboards.com

### DESCRIPTION

The CB-224 series is a 2' x 2' high capacity ceiling box designed to fit into a standard 2' x 2' or 2' x 4' drop ceiling.

It features a drop-down 4RU cage for easy installation and mounting of rack equipment. Cable guides for service loops are provided to allow the equipment to be connected in the down position and then slid up into place.

The drop-down cage features pneumatic assistance to counter some of the weight of the equipment installed.

The CB-224 has 6 AC outlets in the box and 1 in the room. A master power switch is accessible from the room.

The 'P' option adds an adapter for projector pole mounting. This allows cabling to pass from inside the ceiling box, down the pole and to the projector, providing a nice clean installation.

The 'S' option adds cooling fans and the Smart Power module. This module allows the power in the box to be either remotely controlled or switched based on the current draw of specific outlets. In this energy saving mode, the power in the box is switched on and off automatically with the projector to conserve power.

The CB-224RKRL optional rack rail hardware kit adds two additional rack spaces at the rear of the CB-224 cage for cable management and mounting of accessories.

There are a variety of accessory internal mounting brackets available including one gang, two gang, six IPS and twelve IPS openings. They can be positioned and mounted as needed using various pilot holes located at the top of the cage.

### FEATURES

- Deeper box design to carry pull-down 4-RU rack cage that is 12" high, and capable of carrying 25lbs. of electronic equipment
- Available in 4 versions, non-pole mount and pole mount, both with or without "smart" electronics.
- Pull-down handle
- Cable guides
- 4-RU rack cage with gas-spring assisted ball-bearing slide
- Edge-protected bundled cable inlet cavity on each side of the box, filled with flame retardant foam seal.
- 1"/1.25"/1.50" trade-size knockouts, one set per side of the box, with (2) 0.5"/.75" trade-size KOs for line voltage wiring.
- 1 1/2" clear space on both sides of rack cage when inside the box, to allow for wire bundles.
- 2-RU of angle-adjustable rack mounting surfaces to facilitate mounting and visibility of 1-RU/2-RU patch panels.
- 5 internal outlets
- 1 external outlet
- Smart module with Fan (option):
  - Air Flow: 29 CFM at .08 mmHg
  - Noise level: 29 dB A weighted

### APPLICATIONS

Anywhere a Projector or Display is ceiling mounted

- Conference centers
- Schools
- General Meeting Facilities
- Training Facilities
- Airports
- Museums

NOTE: For use with the common "T" grid drop ceiling systems, not compatible with all drop ceiling systems.

### FSR Inc.

244 Bergen Boulevard, Woodland Park, NJ 07424  
Phone: 973.785.4347 · Fax: 973.785.4207  
Web: www.fsrrinc.com · E-mail: sales@fsrrinc.com  
Order Desk: 1-800-332-FSR1

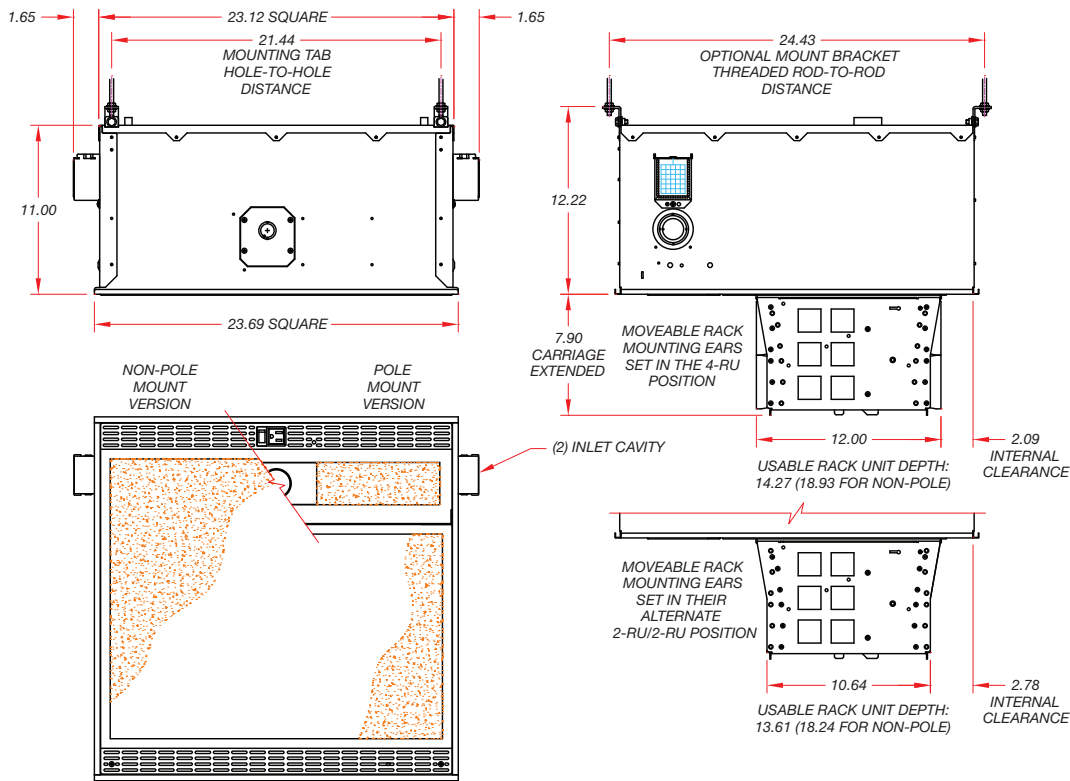
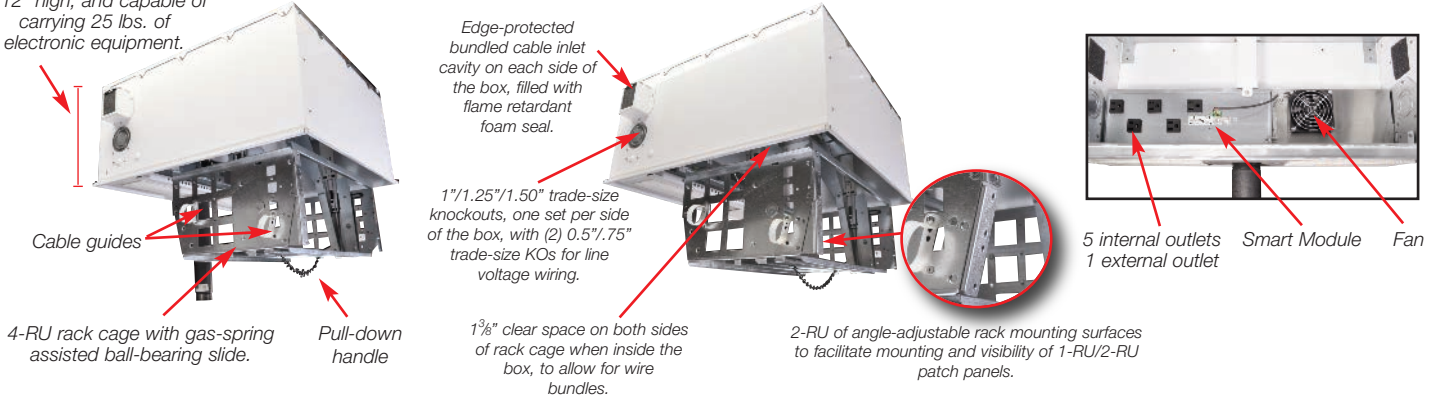
LIT1414A

# CB-224

CB-224 SERIES

Deeper box design to carry pull-down 4-RU rack cage that is 12" high, and capable of carrying 25 lbs. of electronic equipment.

**Available in 4 versions: non-pole mount and pole-mount, both with or without "smart" electronics.**



Product weight:  
50.30 lbs  
Shipping weight:  
60.00 lbs.

## AGENCY APPROVALS

**PLENUM RATED:** Conforms to UL 2043: UL Standard for Safety Fire Test for Heat and Visible Smoke Release for Discrete Products and Their Accessories Installed in Air-Handling Spaces.

**SAFETY RATED:** Conforms to: UL 60950-1: Information Technology Equipment - Safety and certified to CSA 22.2 60950-1: Safety of Information Technology Equipment

**ETL approved and recognized** for use in the State of California. Division of State Architect (DSA) suspension approvals must be sought by contractor prior to certain installations.



# FSR

244 Bergen Boulevard, Woodland Park, NJ 07424  
Phone: 973.785.4347 · Fax: 973.785.4207  
Web: www.fsrinc.com · E-mail: sales@fsrinc.com



Specifications are subject to change without notice.