

LCZ-4F430B LCZ-4F4G30B

Quad-Monitor Desktop Stand for up to 24" Monitors

This beautiful sleek desktop stand raises two displays off the desk surface, thus saving workspace and creating a productive display configuration to increase productivity. Adjust the height and position of the displays to the ideal viewing point. It is quick and simple with the adjustable locking system which allows the user to move and lock the displays freely along the vertical rail without using any tools.



FEATURES

- Single stand designed to support four monitors saving desktop workspace
- Accommodates up to 24" monitors that measure 14"-30" (355-762mm) wide x 12"-17" (304-431mm) high
- Easy to assemble and requires minimal desktop space
- 75 and 100 VESA® mounting pattern



Display size: up to 24"



Max load: 79.2lb (35.9kg)
Display (ea): 19.8lb (8.9kg)



■ **QUICK AND EASY POSITIONING**
A unique adjustable locking system allows moving and locking the monitors freely along the horizontal rail without using tools

■ **INDEPENDENT HORIZONTAL RAIL HEIGHT ADJUSTMENT**
Allows simple positioning for multiple screen sizes

■ **CABLE MANAGEMENT**
Thread cables along the horizontal crossbar to keep cables and cords out of sight and protected for a clean uncluttered desktop

Touchboards

205 Westwood Ave, Long Branch, NJ 07740
Phone: 866-94 BOARDS (26273) / (732)-222-1511
Fax: (732)-222-7088 | E-mail: sales@touchboards.com



Easy height adjustment



Move and lock monitors



Grommet mount
LCZ-4F4G30B



Model Numbers

WARRANTY: Limited 5-year

LCZ-4F430B
LCZ-4F4G30B

Quad-Monitor Desktop Stand for up to 24" Monitors
Quad-Monitor Stand with Grommet for up to 24" Monitors

Touchboards

205 Westwood Ave, Long Branch, NJ 07740
Phone: 866-94 BOARDS (26273) / (732)-222-1511
Fax: (732)-222-7088 | E-mail: sales@touchboards.com

Product Specifications

	DIMENSIONS (W x H x D)	PRODUCT WEIGHT	LOAD CAPACITY	FINISH	AVAILABLE COLORS
LCZ-4F430B	35.40" x 25.29" x 15.75" (900 x 642 x 400mm)	18.3lb (8.3kg)	19.8lb (9kg) per display	Powder coat epoxy	Black
LCZ-4F4G30B	35.40" x 25.29" x 7.65" (900 x 642 x 194mm)	27.1lb (12.2kg)			

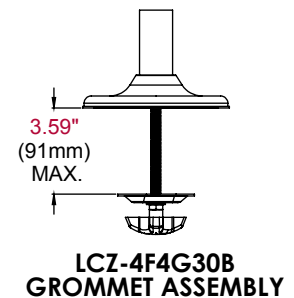
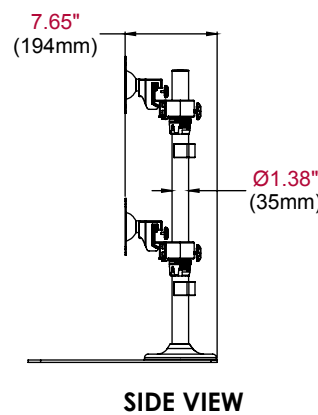
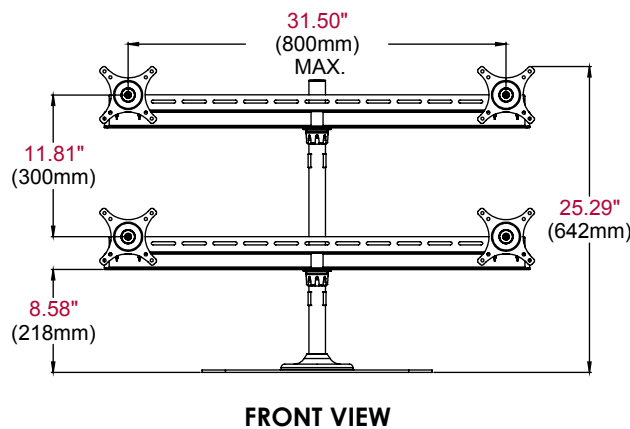
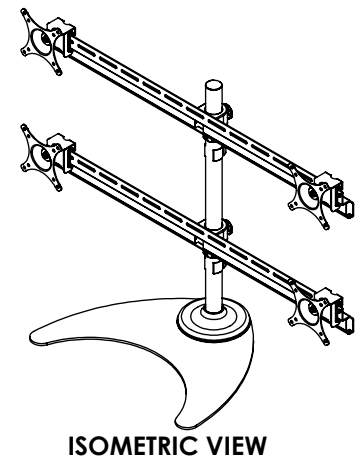
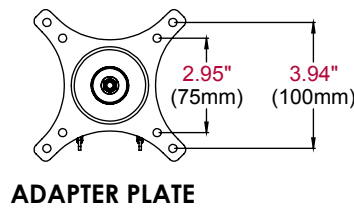
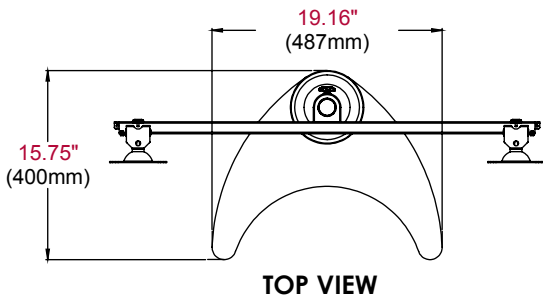
Package Specifications

	PACKAGE SIZE (L x W x H)	PACKAGE SHIP WEIGHT	PACKAGE UPC CODE	PACKAGE CONTENTS	UNITS IN PACKAGE
LCZ-4F430B	38.6" x 4.7" x 17.1" (980 x 119 x 434mm)	20.5lb (9.2kg)	735029278108	Base (with LCZ-4F430B), Grommet (with LCZ-4G4F30B), Cover, Post, Crossbar,	1
LCZ-4F4G30B		29.3lb (13.2kg)	735029278122	4 display mounts, Mounting hardware, Cable management clips	

Accessories

PTM200: Universal Tablet Cradle
ACC450: VESA® 200 x 200mm Accessory Plate
ACC918: Security Fasteners

All dimensions = inch (mm)



ARCHITECTS SPECIFICATIONS

The Peerless-AV Quad-Monitor Desktop & Grommet Stands shall be model # LCZ-4F430B and LCZ-4F4G30B and shall be located where indicated on the plans. It shall have a 19.8lb load capacity per display. It shall be finished in black. Assembly and installation shall be done according to instructions provided by the manufacturer.